

SAFE-HIT® & DURA-POST® TWISTER® ASSEMBLY

TOOLS & MATERIALS

- Rotary Hammer Drill
- Ø 1-1/2" Percussive Drill Bit
- Compressed air
- Round Brush
- Tape Measure
- Phillips Screwdriver
- Anti-Seize Compound - Order Separately (PN 113220)
- Epoxy Kit (1 1/2oz Part A, 1 1/2oz Part B) (one kit will do 1 anchor)
- Gloves

TWISTER®

IMPORTANT!!
DRILL ALL HOLES AND ASSEMBLE ALL POSTS & ANCHORS BEFORE MIXING THE EPOXY ADHESIVE.



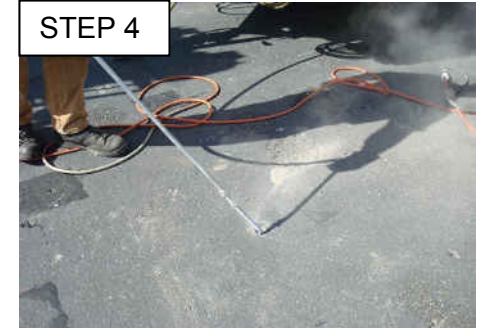
STEP 1
Place the adhesive shield then coat threads with anti-seize compound.



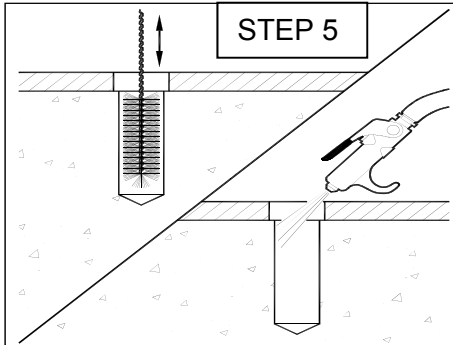
STEP 2
Attach the anchor to the stub and turn it by hand until it stops.



STEP 3
Drill 1-1/2" Diameter x 3-1/2" Deep. **Consult OSHA respiratory standards for crystalline silica exposure.**



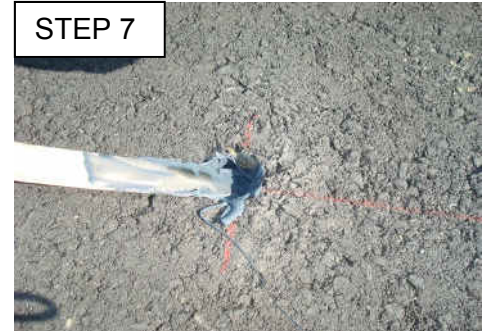
STEP 4
Blow out with compressed air.



STEP 5
Brush the hole and blow out again.



STEP 6
Thoroughly mix the epoxy.



STEP 7
Place about two sticks-full of epoxy in the hole.



STEP 8
Coat the anchor with epoxy.



STEP 9
Place the post/anchor assembly into the hole.

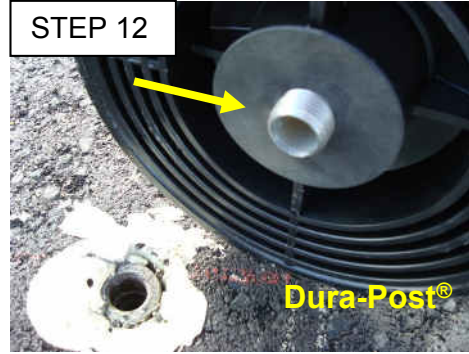


STEP 10
IMPORTANT!!
Let the post sit until the epoxy fully cures (approximately 8 hrs).

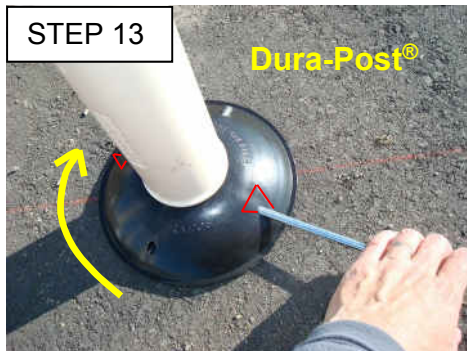
SAFE-HIT® & DURA-POST® TWISTER® ASSEMBLY



Unscrew the post and remove the adhesive shield and discard.



Place the 2-1/2" neoprene washer over the screw on the base. The washer prevents the base from rotating during service.



Place the threaded stub on the receptacle and tighten snugly with a Phillips screwdriver or similar tool.



IMPORTANT!!

Align either of the arrows to the direction of traffic.

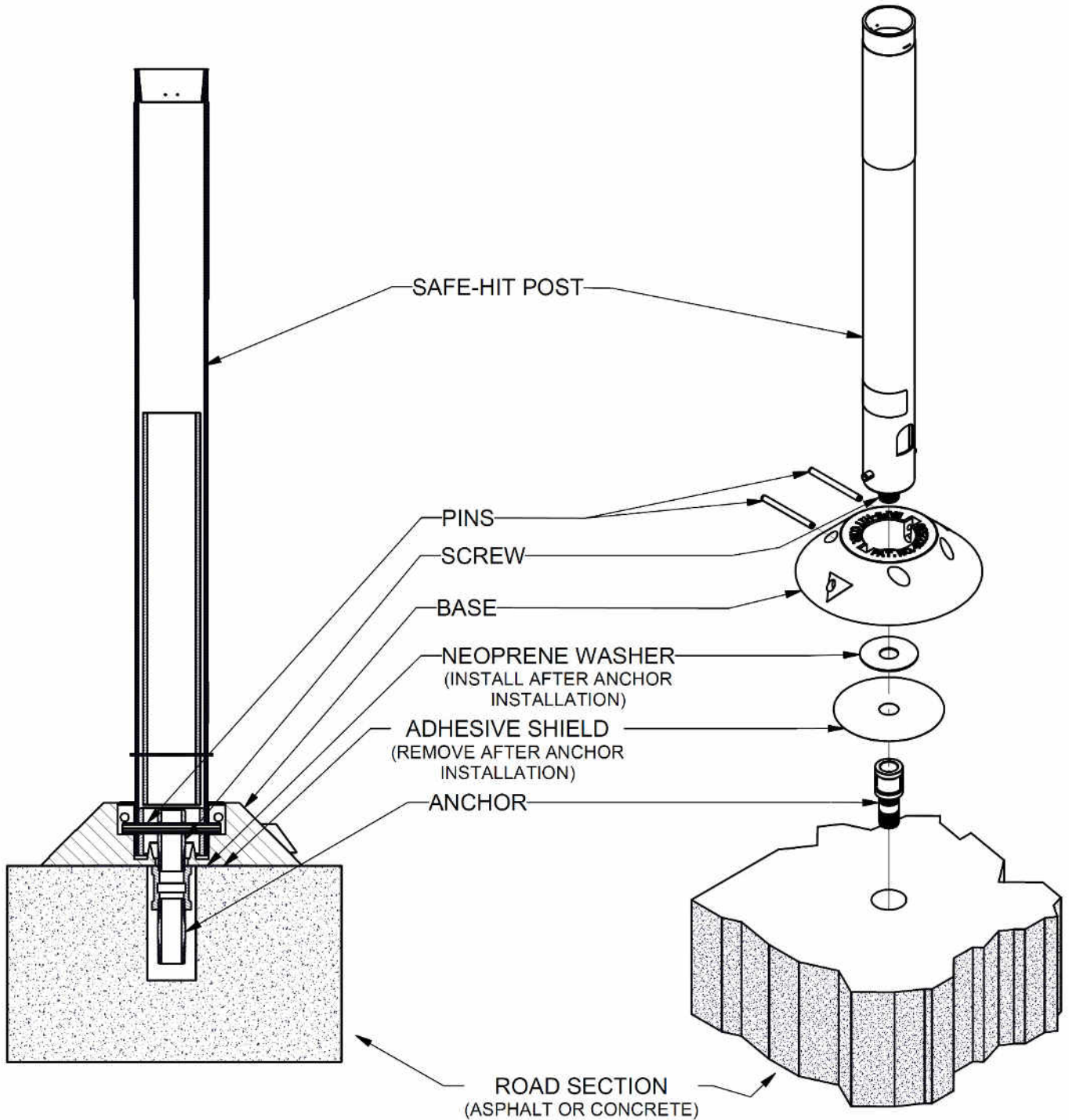
IT IS THE RESPONSIBILITY OF THE INSTALLER TO MAINTAIN A SAFE WORK AREA INCLUDING THE USE OF STANDARD WORK ZONE SAFETY EQUIPMENT & PPE: GLOVES, SAFETY-TOE SHOES, EYE & EAR PROTECTION



If the post is to be removed, then install the protective plug (optional, PN 114043).

SAFE-HIT® TWISTER® ASSEMBLY

USE STANDARD WORK ZONE SAFETY EQUIPMENT & PPE:
GLOVES, SAFETY-TOE SHOES, EYE & EAR PROTECTION



DURA-POST® TWISTER® ASSEMBLY

TOOLS & MATERIALS

- Twister® Dura-Post®
- Twister® Base w/pin
- Twister® Pipe Screw
- Hammer
- Tape Measure
- Scissors



STEP 1



Place the post into the base. Align the line on the post to the line on the base.

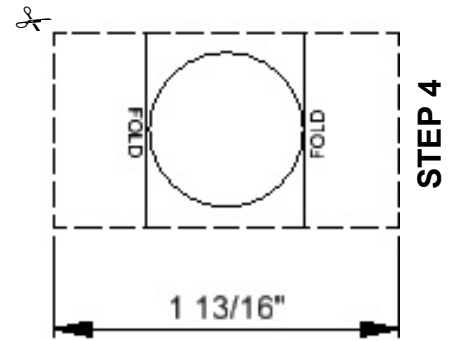


STEP 2

Drive the pin until 3" sticks out.



STEP 3



STEP 4

Cut out the screw Alignment Tool.



STEP 5

Fold the Alignment Tool and put it on the Pipe Screw as shown with the hole lined up with the "U" of the Alignment Tool.



STEP 6

Insert the Pipe Screw until the Alignment Tool contacts the bottom of the base.

USE STANDARD WORK ZONE SAFETY EQUIPMENT & PPE: GLOVES, SAFETY-TOE SHOES, EYE & EAR PROTECTION



STEP 7

Drive the pin while holding the Pipe Screw in position.



Completed assembly

DURA-POST® TWISTER® ASSEMBLY

**USE STANDARD WORK ZONE SAFETY EQUIPMENT & PPE:
GLOVES, SAFETY-TOE SHOES, EYE & EAR PROTECTION**

