

SAFE-HIT® FLEXIBLE DELINEATOR GROUND ANCHORS

CLOSED-END ANCHORS

14" SHA5-14C--GL (603688B)

18" SHA3-18C--GL (603689B)

24" SHA9-24C--GL (603690B)

OPEN-END ANCHORS

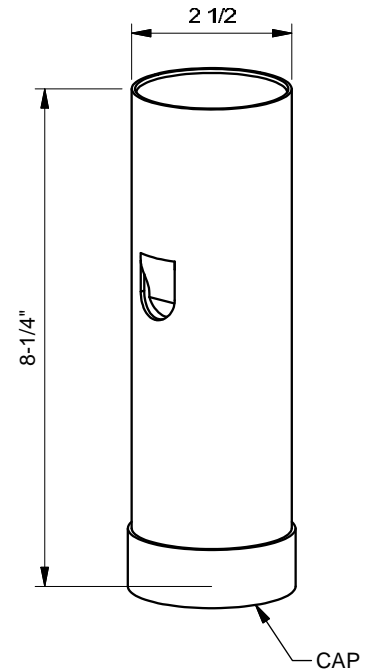
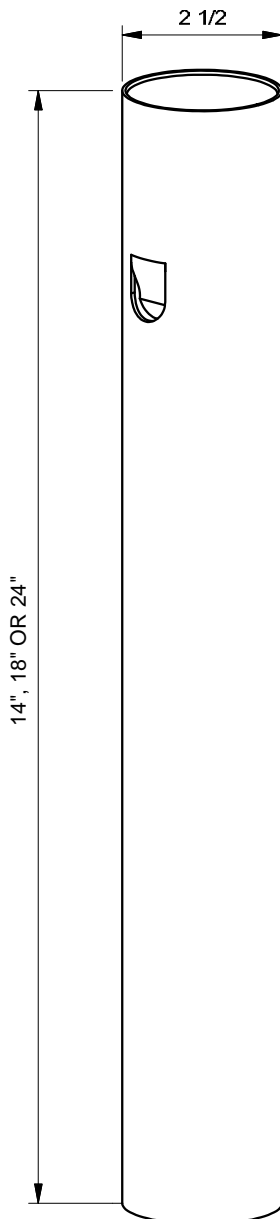
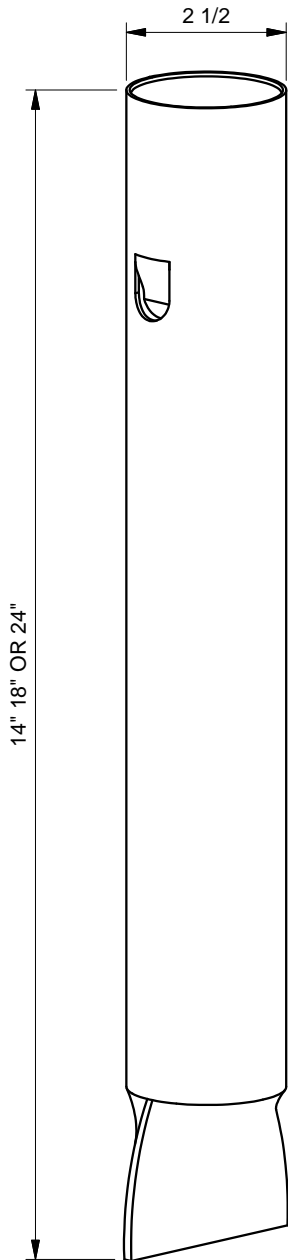
14" SHA6-14OE-GL (603684B)

18" SHA4-18OE-GL (603685B)

24" SHA8-24OE-GL (603686B)

OPEN-END CONCRETE

8" SHA1--8OE-GL (603687B)



GROUND ANCHORS rev 03/06/17

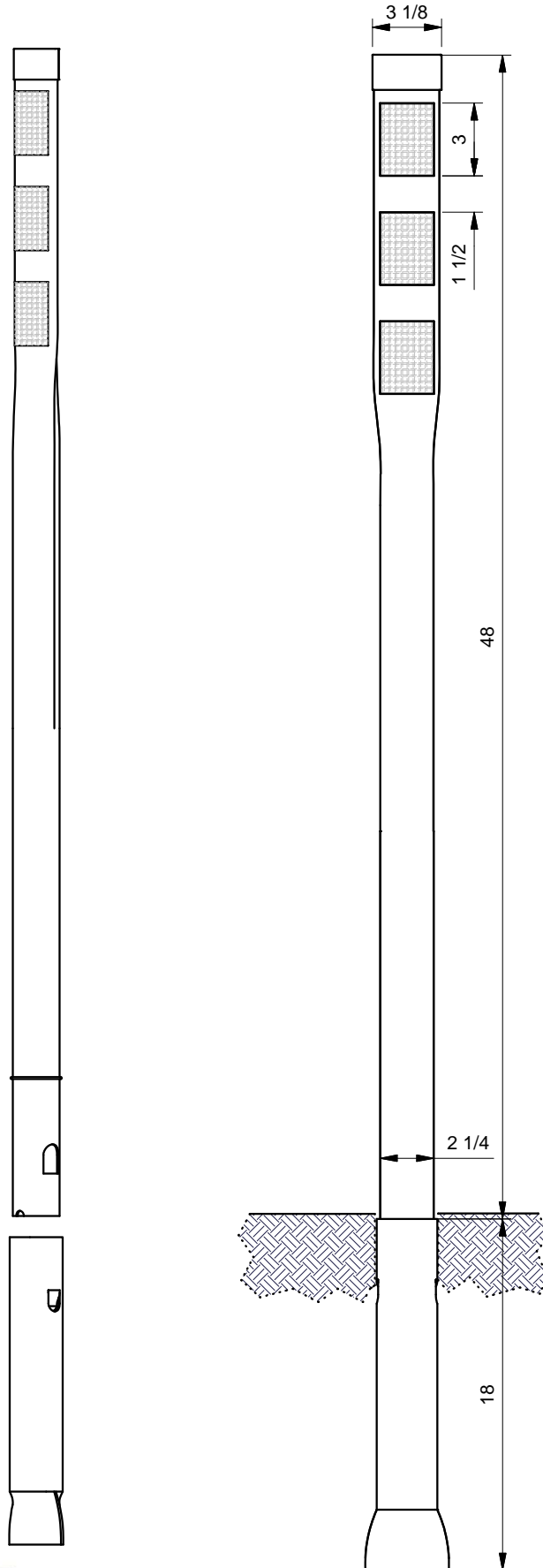
COPYRIGHT © 2017 TRINITY HIGHWAY. ALL RIGHTS RESERVED

1.888.323.6374

Safe-Hit.com | TrinityHighway.com



SAFE-HIT® TYPE 1 FLEXIBLE DELINEATOR, GROUND MOUNT



SH148GP3--WS

48" WHITE POST WITH THREE 3" X 3" SILVER HIGH INTENSITY FLEXIBLE PRISMATIC REFLECTIVE PATCHES, BLACK CAP AND 18" SOIL ANCHOR.

OPTIONS:

- ANCHOR LENGTH/STYLE
- REFLECTIVE COLOR/TYPE
- POST HEIGHT
- POST COLOR



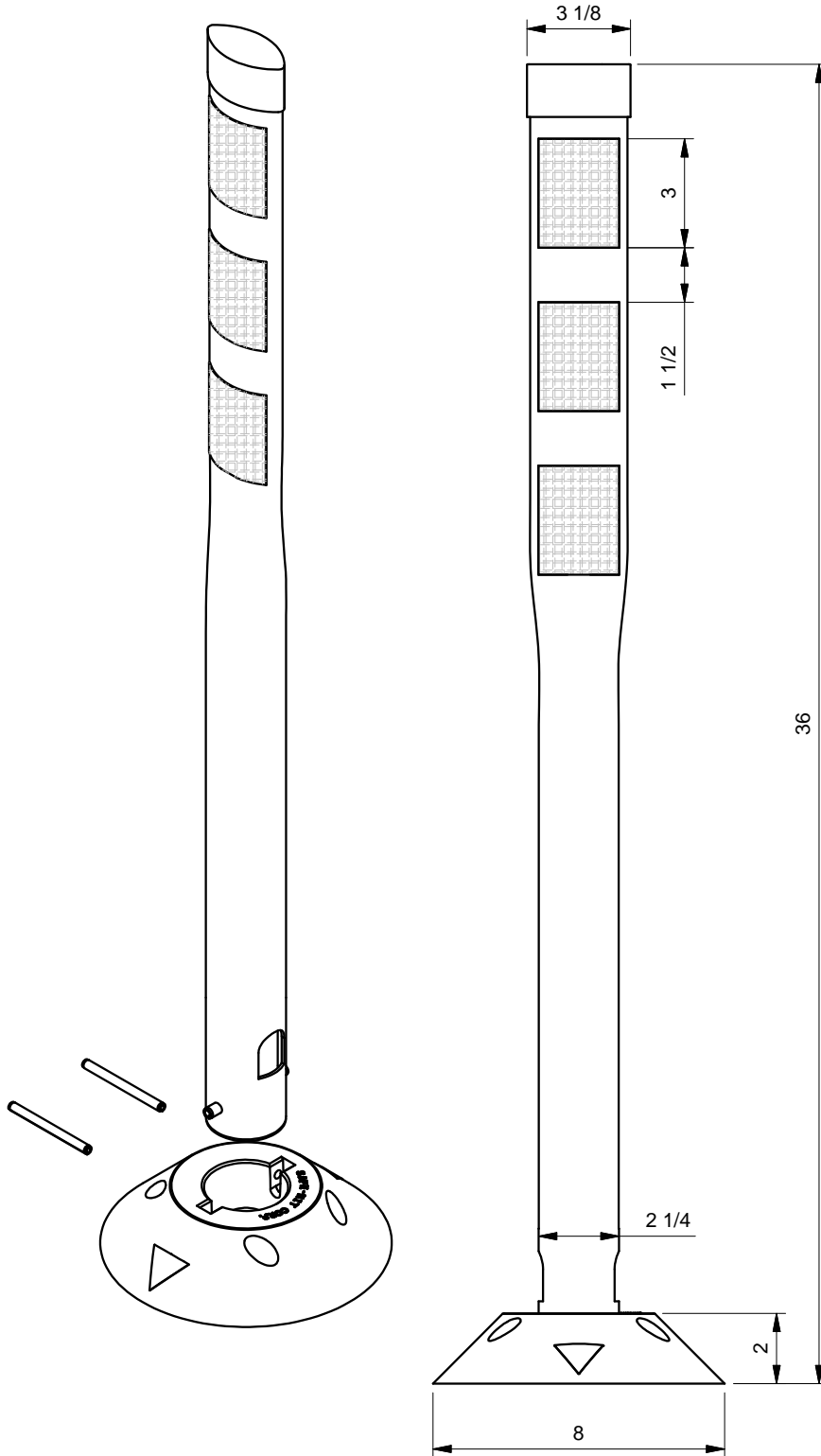
SH148GP3--WS rev 03/06/17

COPYRIGHT © 2017 TRINITY HIGHWAY. ALL RIGHTS RESERVED



1.888.323.6374
Safe-Hit.com | TrinityHighway.com

SAFE-HIT® TYPE 1 FLEXIBLE DELINEATOR, SURFACE MOUNT



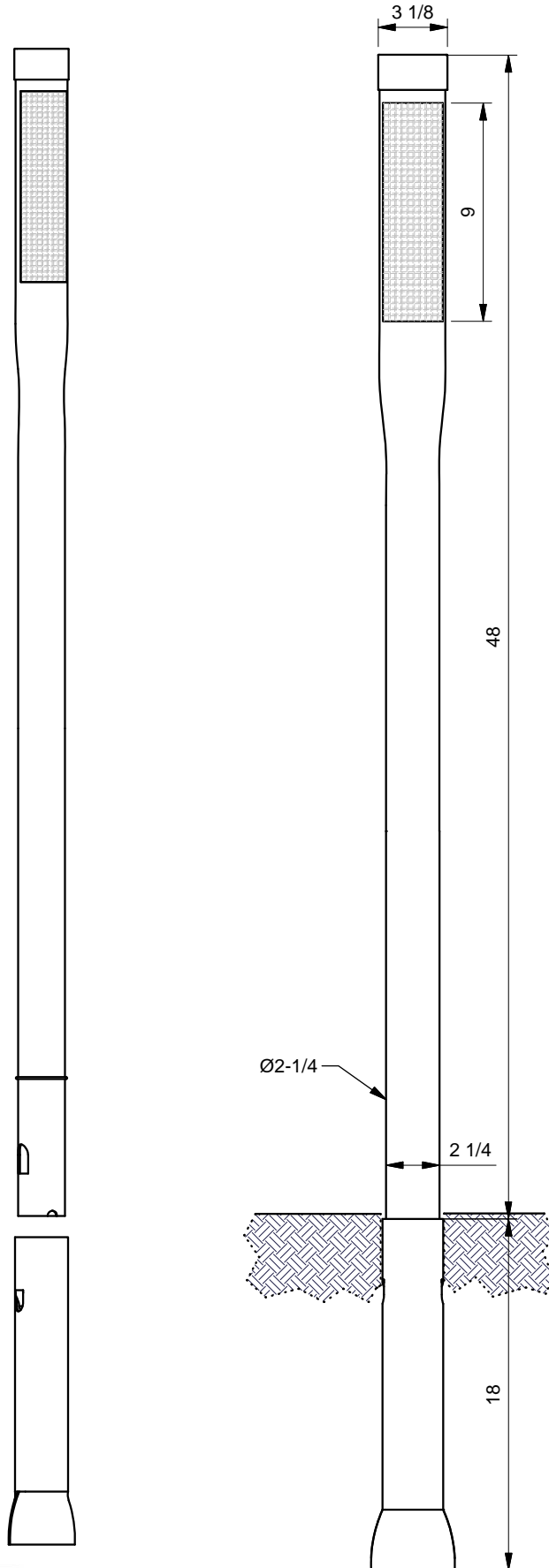
SH136SMA--WS

36" POST, WHITE WITH THREE 3" X 3" SILVER HIGH INTENSITY FLEXIBLE PRISMATIC REFLECTIVE PATCHES BLACK CAP AND PIN-LOCK SURFACE MOUNT BASE.

OPTIONS:

- TWIST LOCK BASE
- REFLECTIVE COLOR/TYPE
- POST HEIGHT
- POST COLOR

SAFE-HIT® TYPE 2 FLEXIBLE DELINEATOR, GROUND MOUNT



SH248GP3--WS

48" WHITE POST WITH ONE 3" X 9" SILVER HIGH INTENSITY FLEXIBLE PRISMATIC REFLECTIVE PATCH, BLACK CAP AND 18" SOIL ANCHOR.

OPTIONS:

- ANCHOR LENGTH/STYLE
- REFLECTIVE COLOR/TYPE
- POST HEIGHT
- POST COLOR



SH248GP3--WS rev 03/06/17

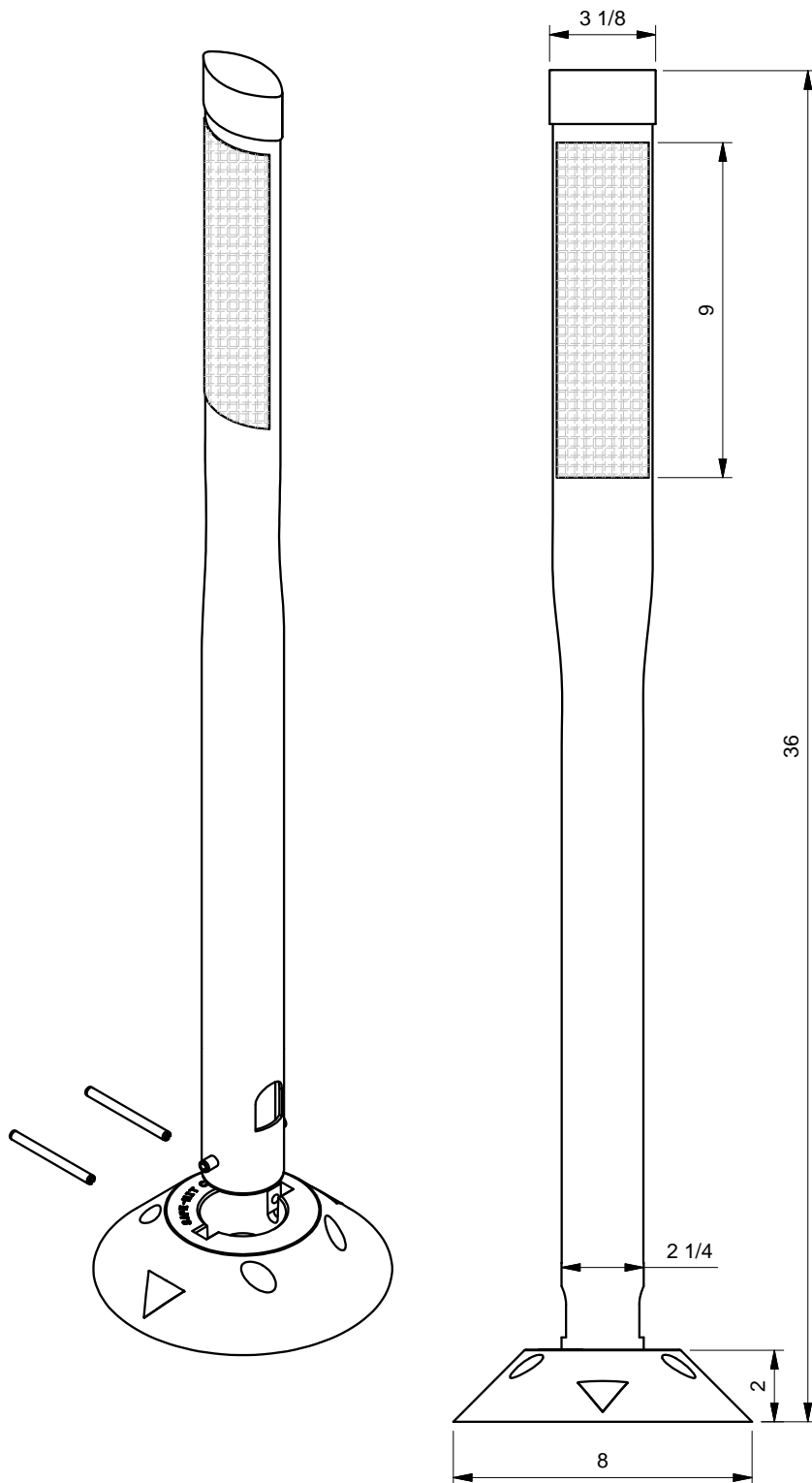
COPYRIGHT © 2017 TRINITY HIGHWAY. ALL RIGHTS RESERVED



1.888.323.6374

Safe-Hit.com | TrinityHighway.com

SAFE-HIT® TYPE 2 FLEXIBLE DELINEATOR, SURFACE MOUNT



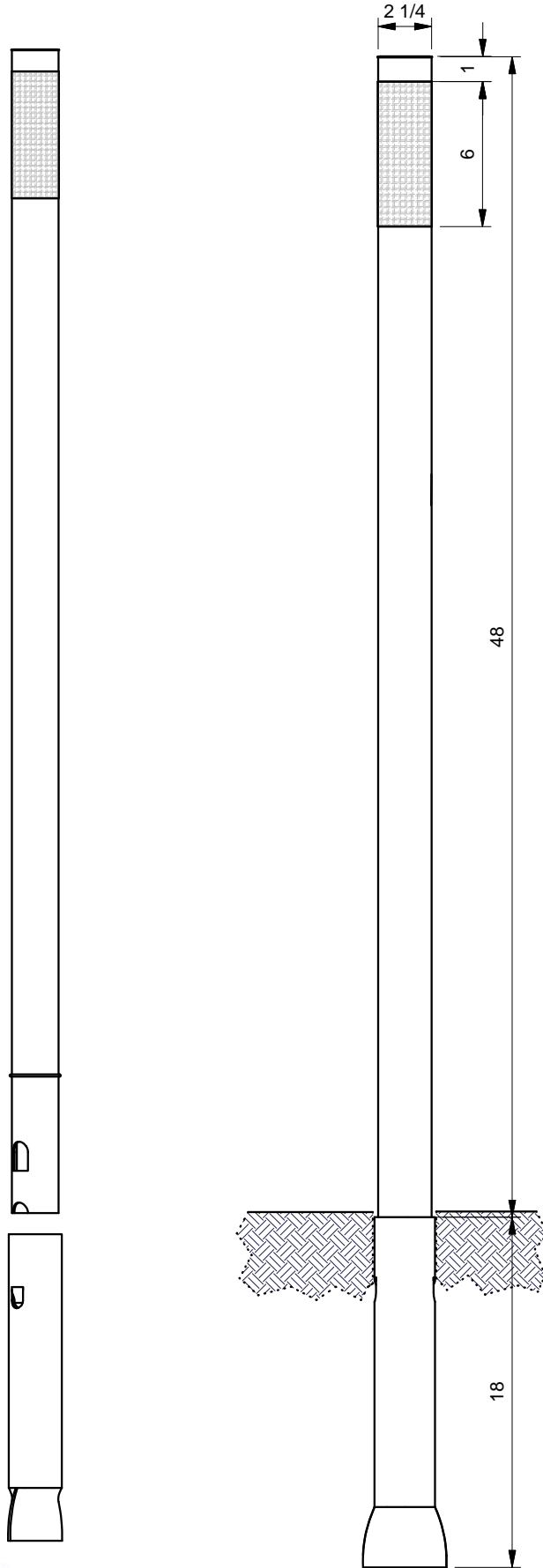
SH236SMA--WS

36" POST, WHITE WITH ONE 3" X 9" SILVER HIGH INTENSITY FLEXIBLE PRISMATIC REFLECTIVE STRIP, BLACK CAP AND PIN-LOCK SURFACE MOUNT BASE.

OPTIONS:

- TWIST LOCK BASE
- REFLECTIVE COLOR/TYPE
- POST HEIGHT
- POST COLOR

SAFE-HIT® TYPE 3 FLEXIBLE DELINEATOR, GROUND MOUNT



SH348GP3--WS

48" WHITE POST WITH ONE
6" SILVER HIGH INTENSITY
FLEXIBLE PRISMATIC REFLECTIVE
BAND, BLACK CAP AND 18"
SOIL ANCHOR.

OPTIONS:

- ANCHOR LENGTH/STYLE
- REFLECTIVE COLOR/TYPE
- POST HEIGHT
- POST COLOR



SH348GP3--WS rev 03/06/17

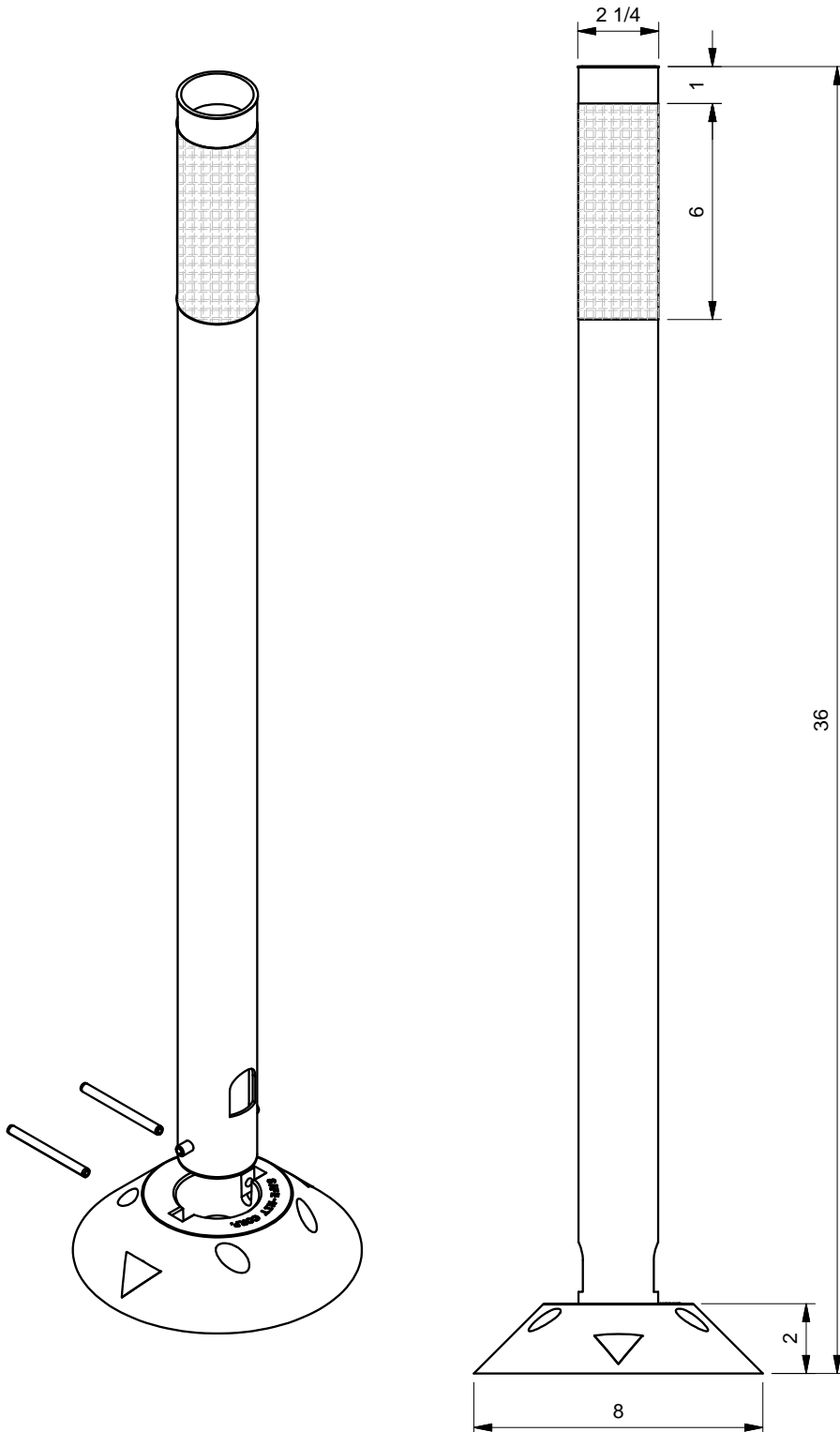
COPYRIGHT © 2017 TRINITY HIGHWAY. ALL RIGHTS RESERVED



1.888.323.6374

Safe-Hit.com | TrinityHighway.com

SAFE-HIT® TYPE 3 FLEXIBLE DELINEATOR, SURFACE MOUNT



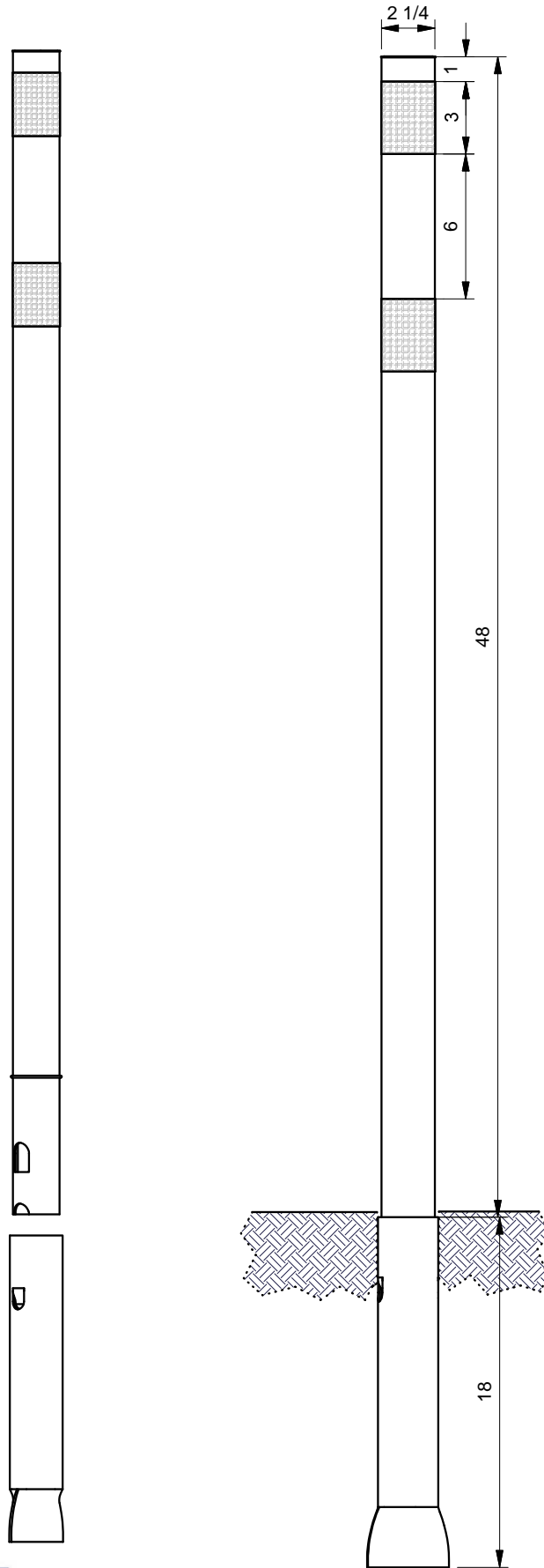
SH336SMA--WS

36" WHITE POST WITH ONE 6" WIDE SILVER HIGH INTENSITY FLEXIBLE PRISMATIC REFLECTIVE BAND, WITH PIN-LOCK SURFACE MOUNT BASE.

OPTIONS:

- TWIST-LOCK BASE
- REFLECTIVE COLOR/TYPE
- POST HEIGHT
- POST COLOR

SAFE-HIT® TYPE 5 FLEXIBLE DELINEATOR, GROUND MOUNT



SH548GP3--WS

48" WHITE POST WITH TWO
3" SILVER HIGH INTENSITY
FLEXIBLE PRISMATIC REFLECTIVE
BANDS, BLACK CAP AND 18"
SOIL ANCHOR.

OPTIONS:

- ANCHOR LENGTH/STYLE
- REFLECTIVE COLOR/TYPE
- POST HEIGHT
- POST COLOR



SH548GP3--WS rev 03/06/17

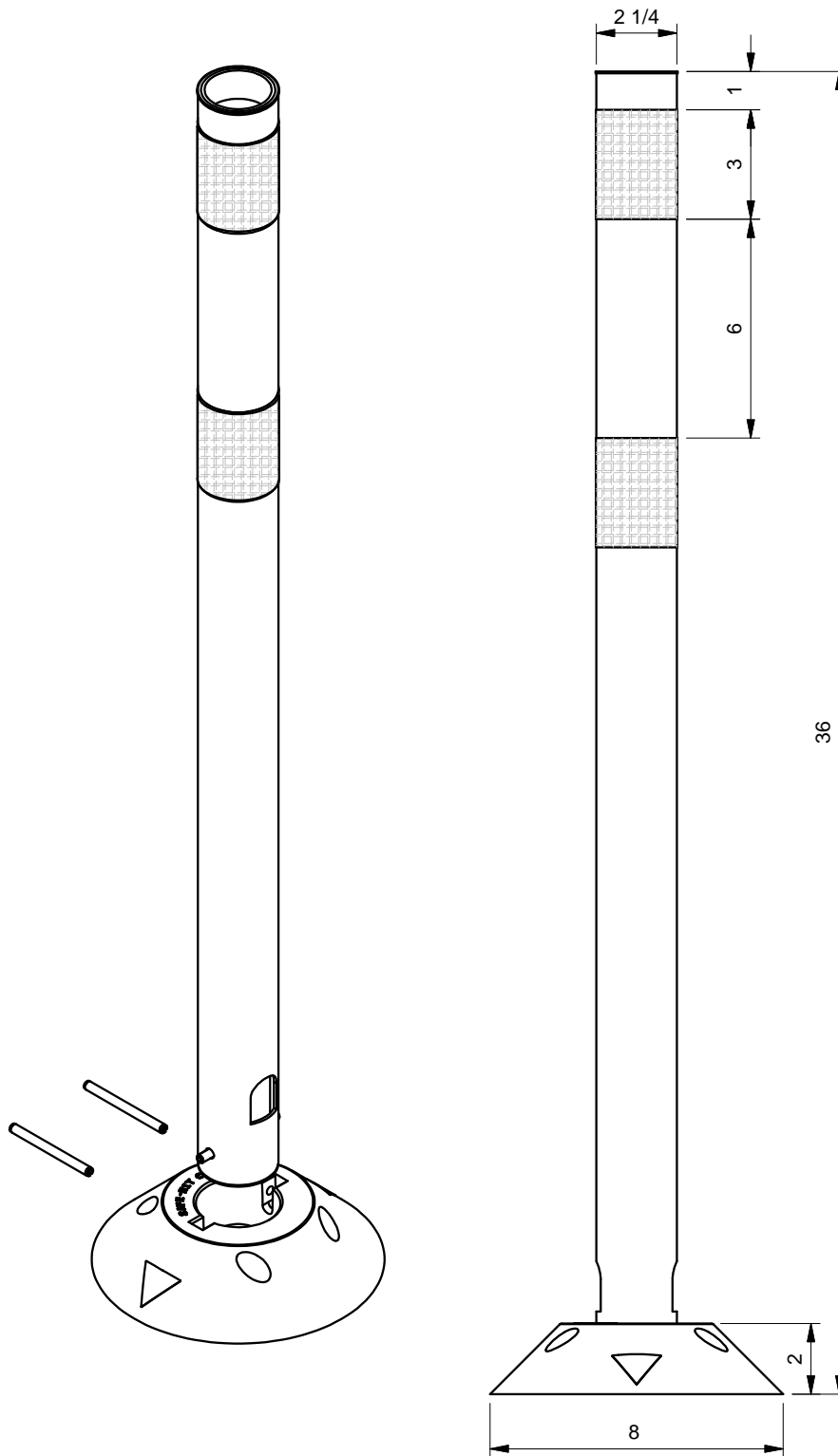
COPYRIGHT © 2017 TRINITY HIGHWAY. ALL RIGHTS RESERVED



1.888.323.6374

Safe-Hit.com | TrinityHighway.com

SAFE-HIT® TYPE 5 FLEXIBLE DELINEATOR, SURFACE MOUNT



SH536SMA--WS

36" WHITE POST WITH TWO 3" WIDE SILVER HIGH INTENSITY FLEXIBLE PRISMATIC REFLECTIVE BANDS, WITH PIN-LOCK SURFACE MOUNT BASE.

OPTIONS:

- TWIST-LOCK BASE
- REFLECTIVE COLOR/TYPE
- POST HEIGHT
- POST COLOR