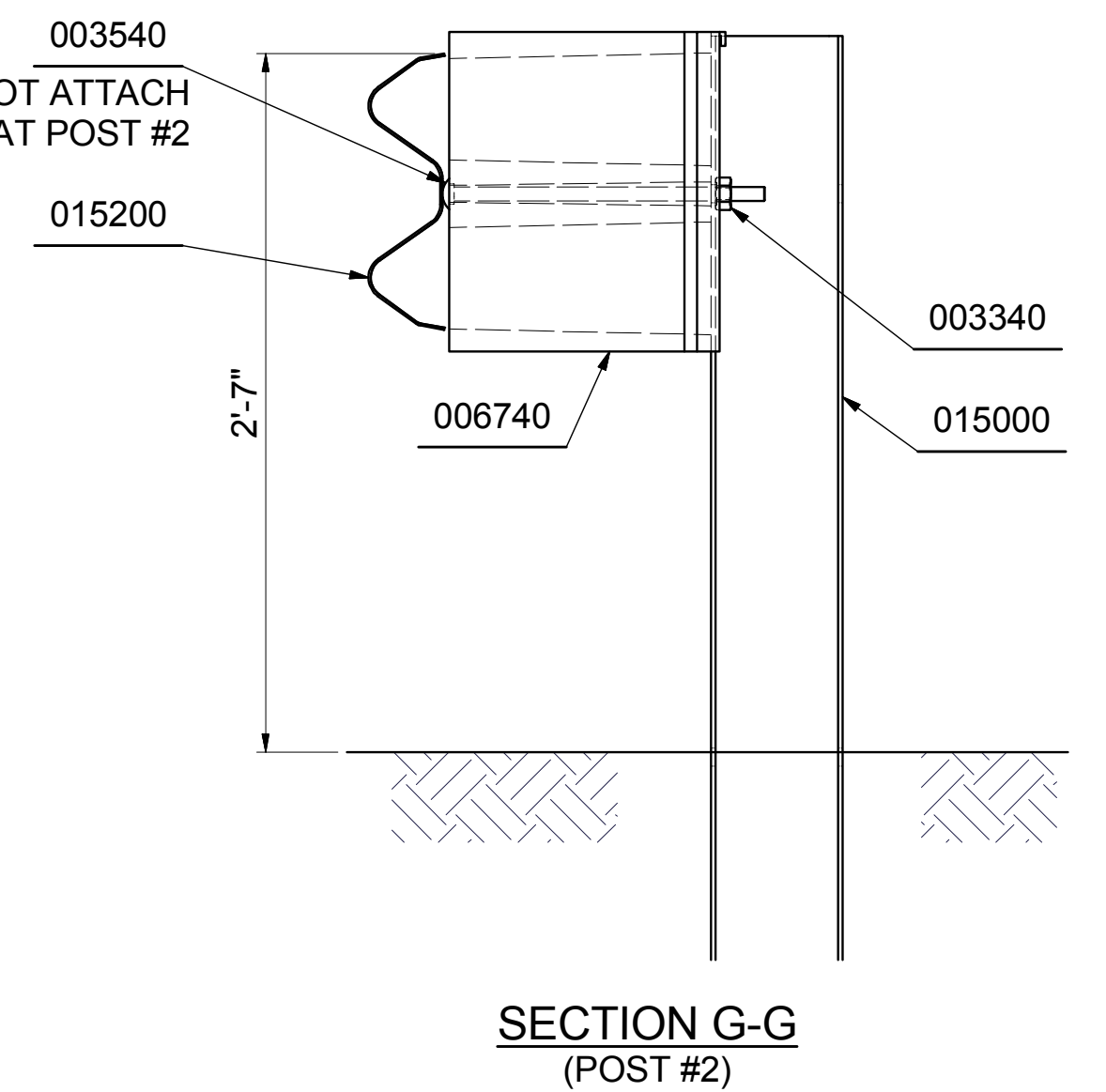
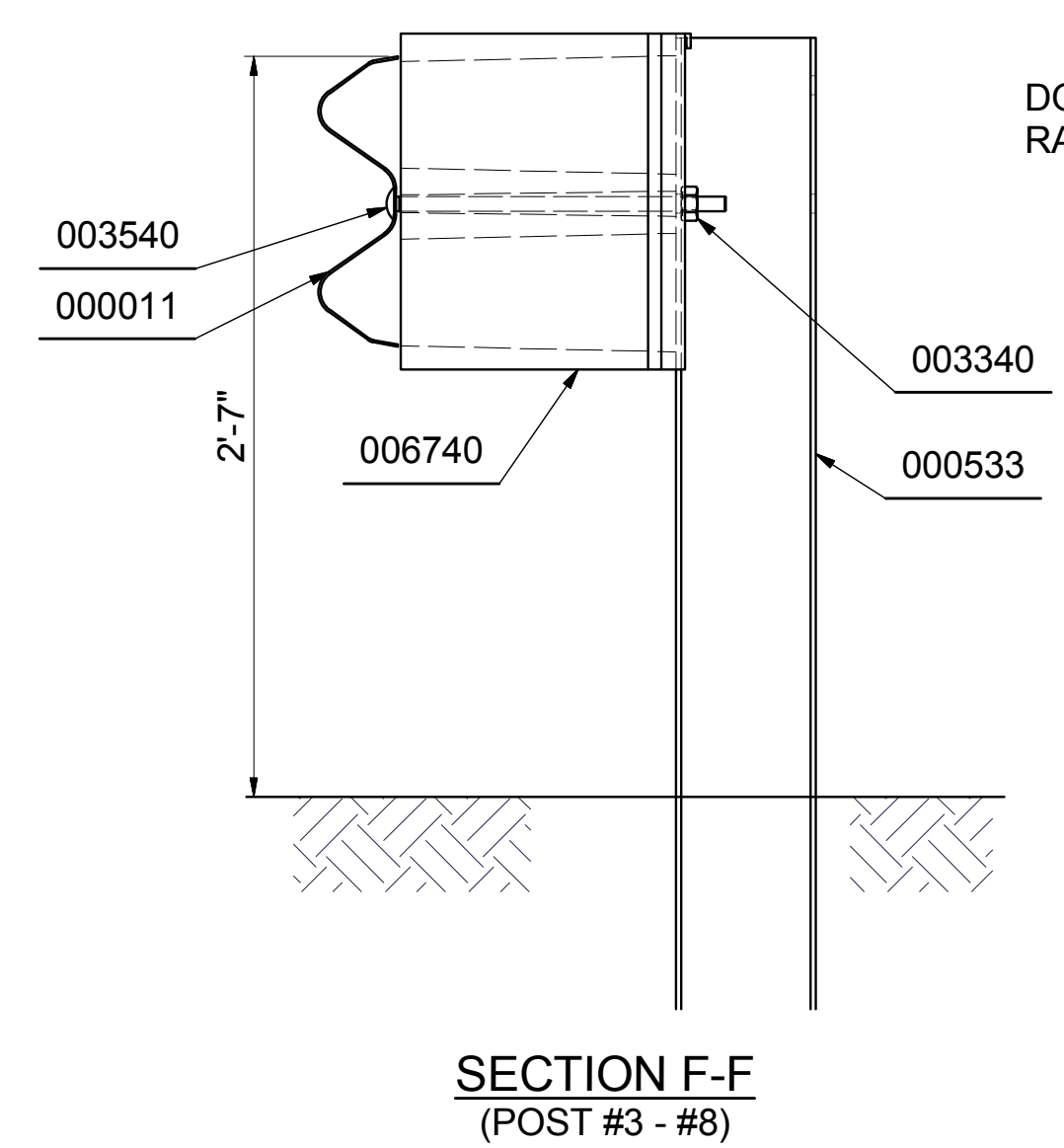
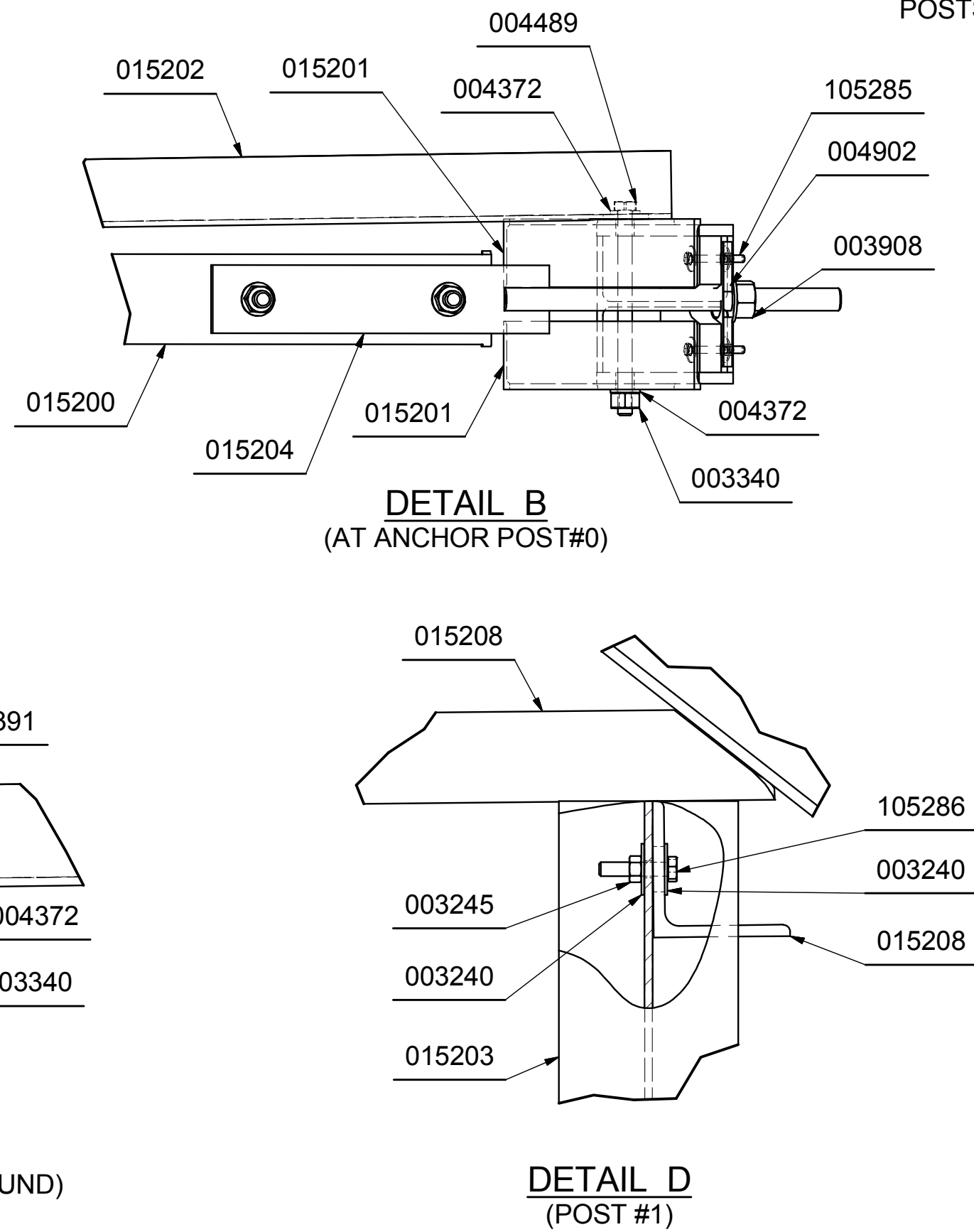
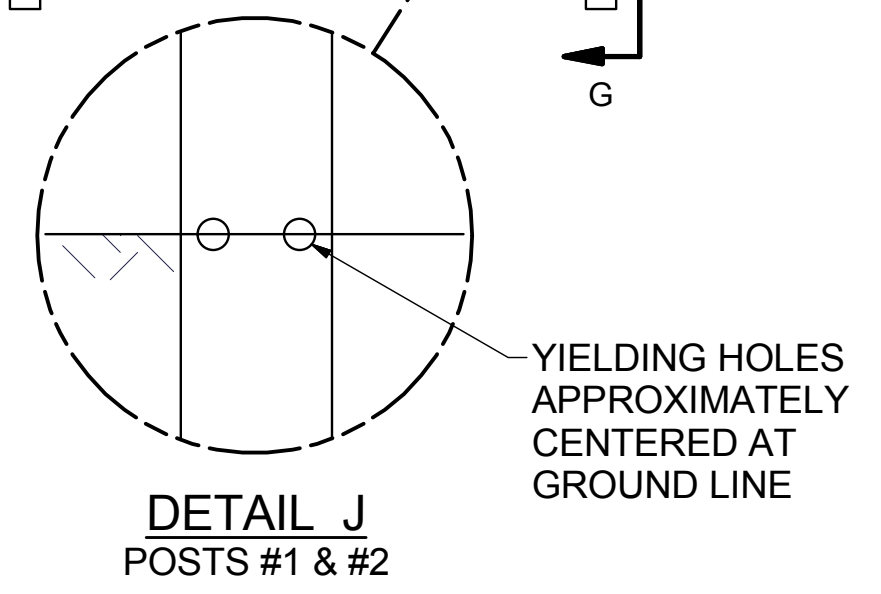
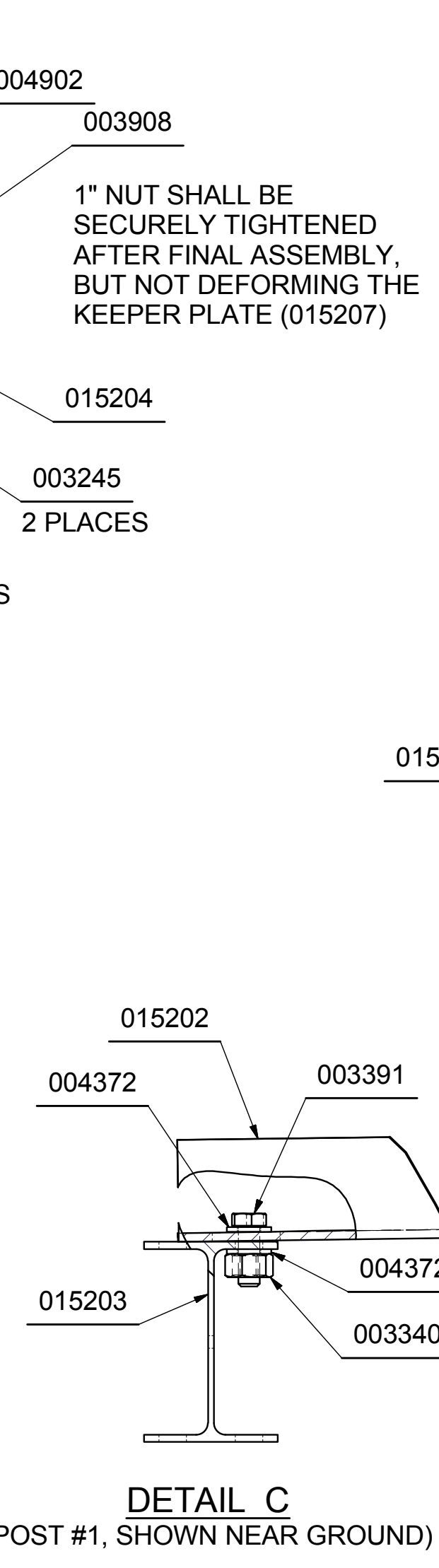
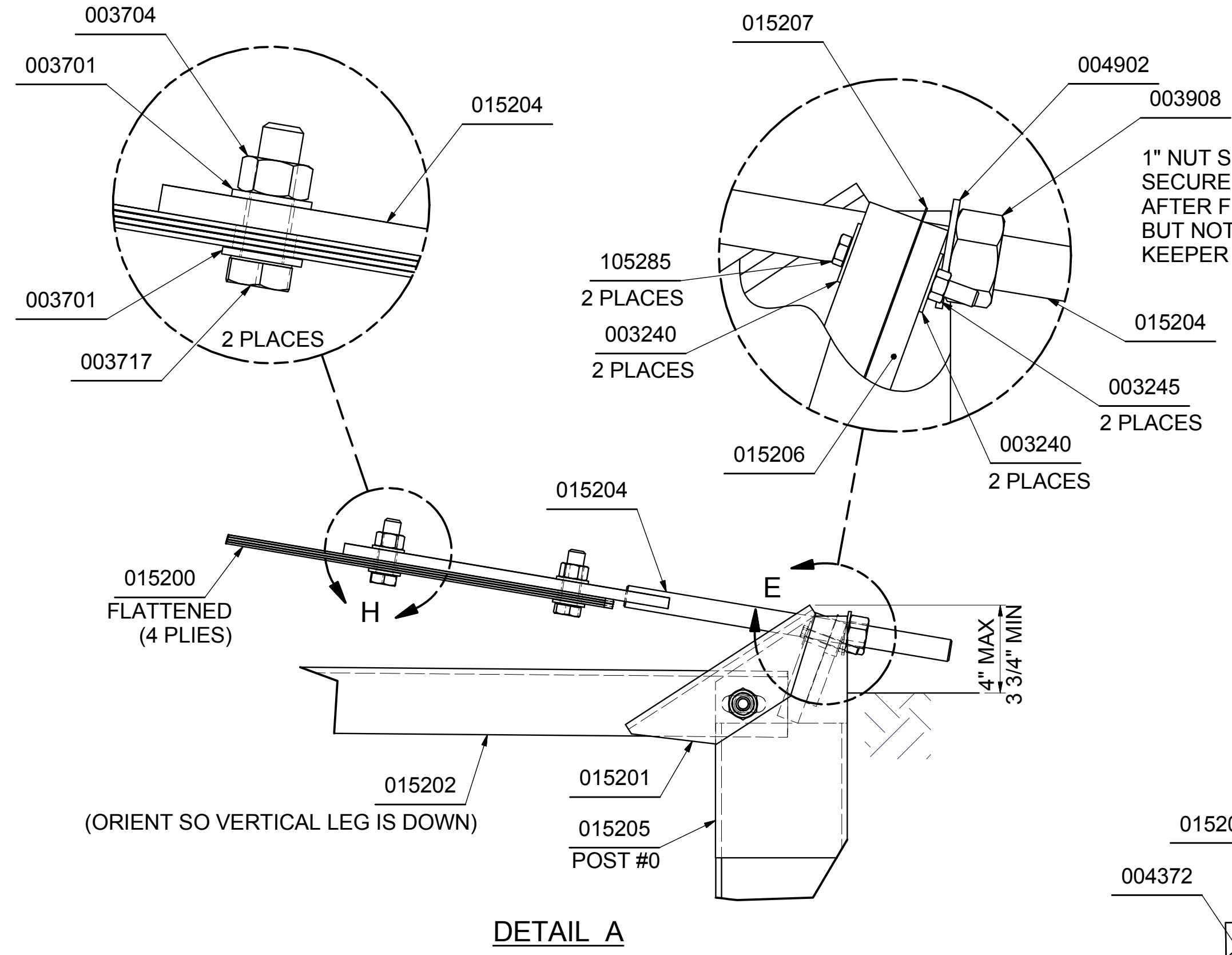
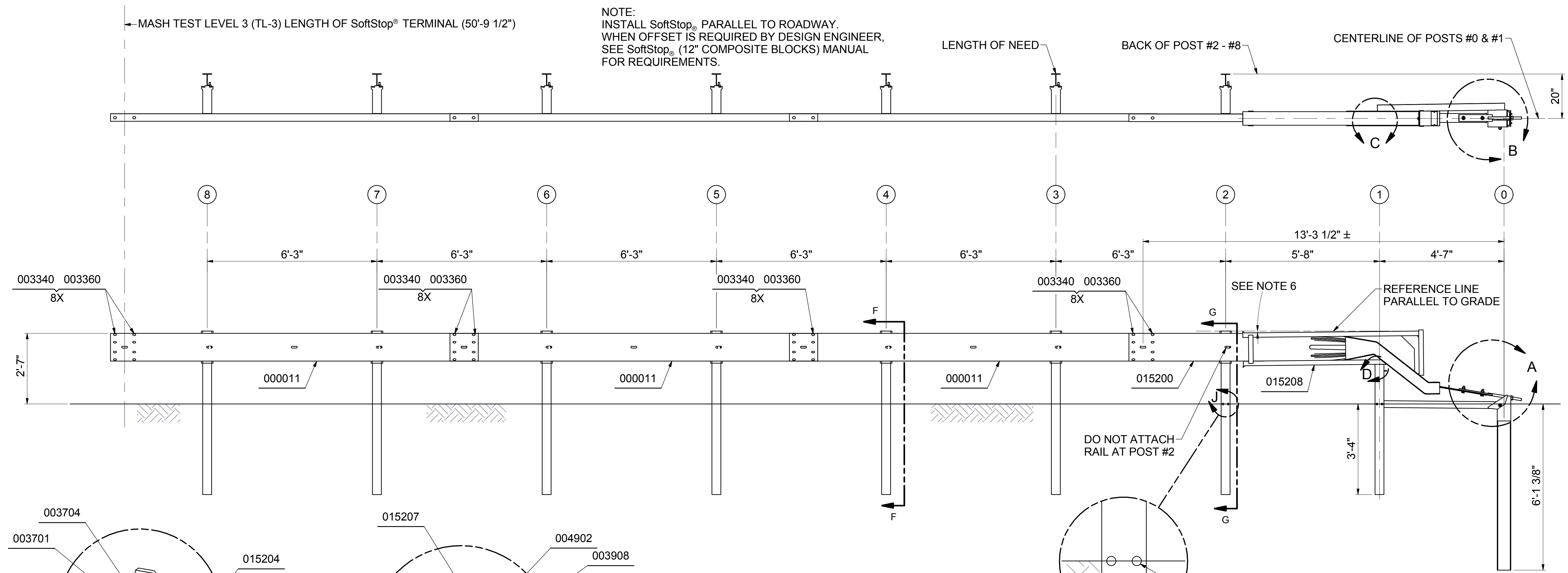


PARTS LIST		
PART NO.	QTY.	DESCRIPTION
000011	3	12/12'6/3'1.5/S
000533	6	6'-0" POST / W6 x 8.5#
006740	7	COMPOSITE BLOCK 12X6X14
015000	1	6'0 SYT PST/8.5/31" GR HT
015200	1	SFST-ANCHOR G.RAIL 12'-6"
015202	1	SFST-ANGLE STRUT
015203	1	SFST-POST#1 SYTP
015204	1	SFST-ANCHOR PADDLE
015205	1	SFST-POST#0
015208	1	SFST-IMPACT HEAD
HARDWARE KIT 626786:		
003240	6	5/16 ROUND WASHER WIDE
003245	3	5/16 HEX NUT
003340	41	NUT, HX, 5/8, G, RAIL
003360	32	5/8"X1.25" GR BOLT
003391	1	5/8"X1.75" HEX BOLT A325
003540	7	5/8"X14" GR BOLT A307
003701	4	3/4" ROUND WASHER F436
003704	2	3/4" HVY HEX NUT A563 DH
003717	2	3/4"X2.5" HEX BOLT A325
003908	1	1" HVY HEX NUT A563 DH
004372	4	5/8" WASHER F436
004489	1	5/8"X9" HEX BOLT A325
004902	1	1" ROUND WASHER F436
105285	2	5/16" X 2.5" HEX BOLT GRD 5
105286	1	5/16" X 1.5" HEX BOLT GRD 5
015201	2	SFST-ANCHOR ANGLE
015206	1	SFST-PLATE WASHER
015207	1	SFST-KEEPER PLATE

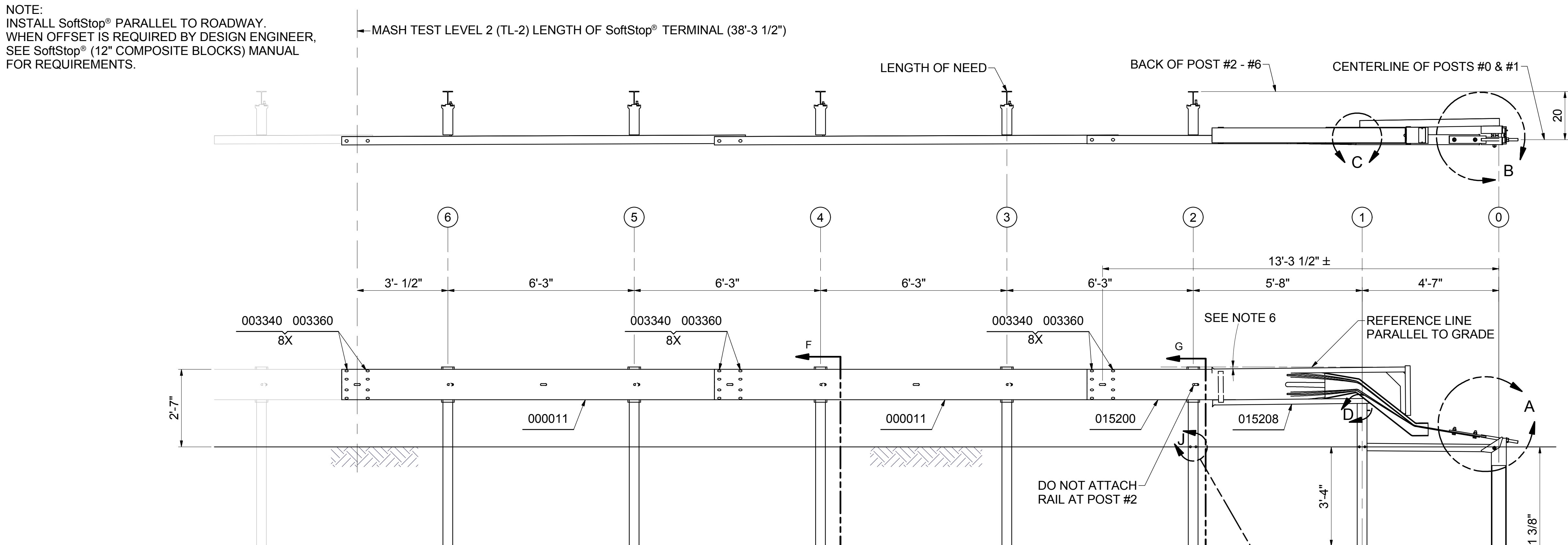
NOTE:
INSTALL SoftStop[®] PARALLEL TO ROADWAY.
WHEN OFFSET IS REQUIRED BY DESIGN ENGINEER,
SEE SoftStop[®] (12" COMPOSITE BLOCKS) MANUAL
FOR REQUIREMENTS.



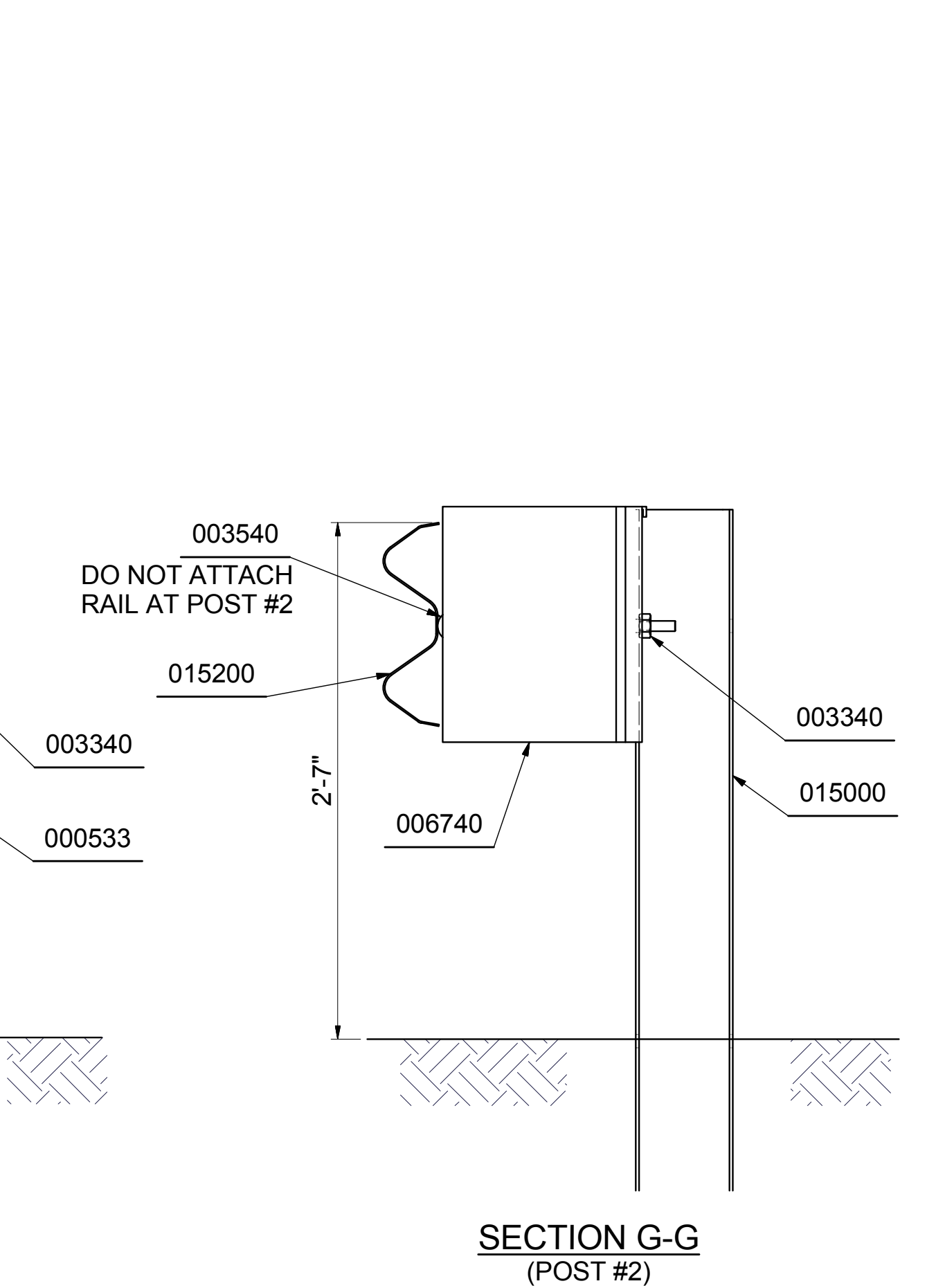
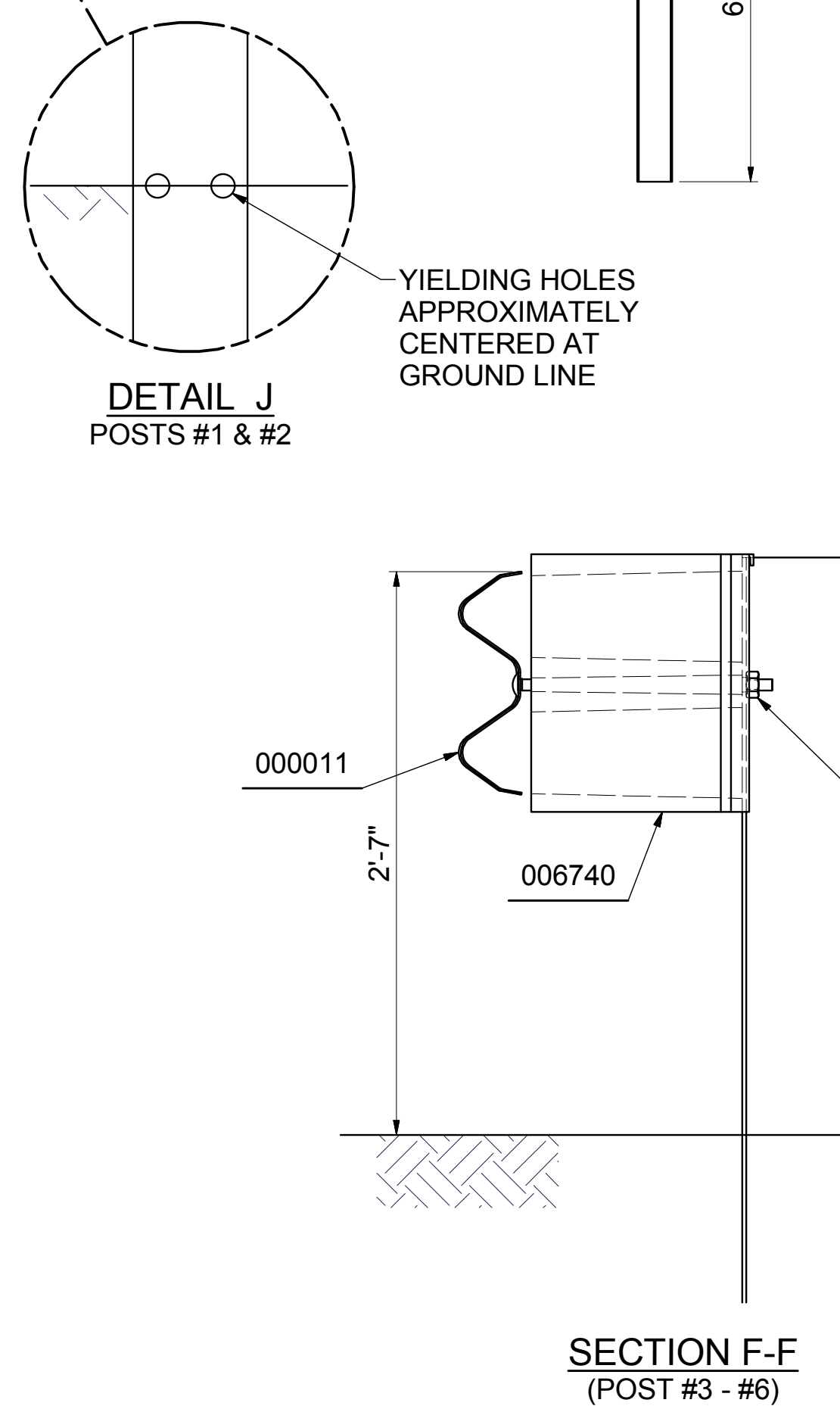
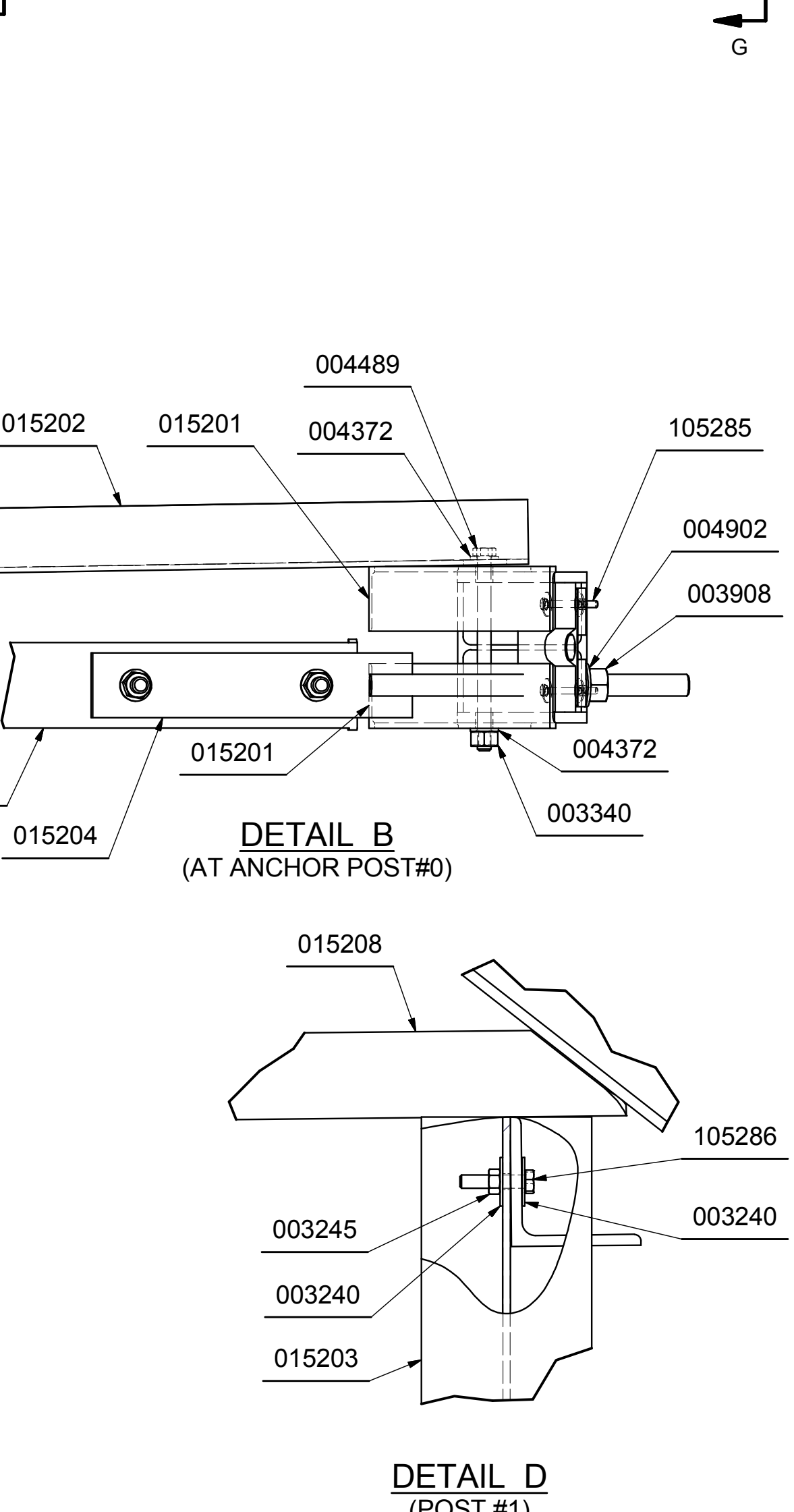
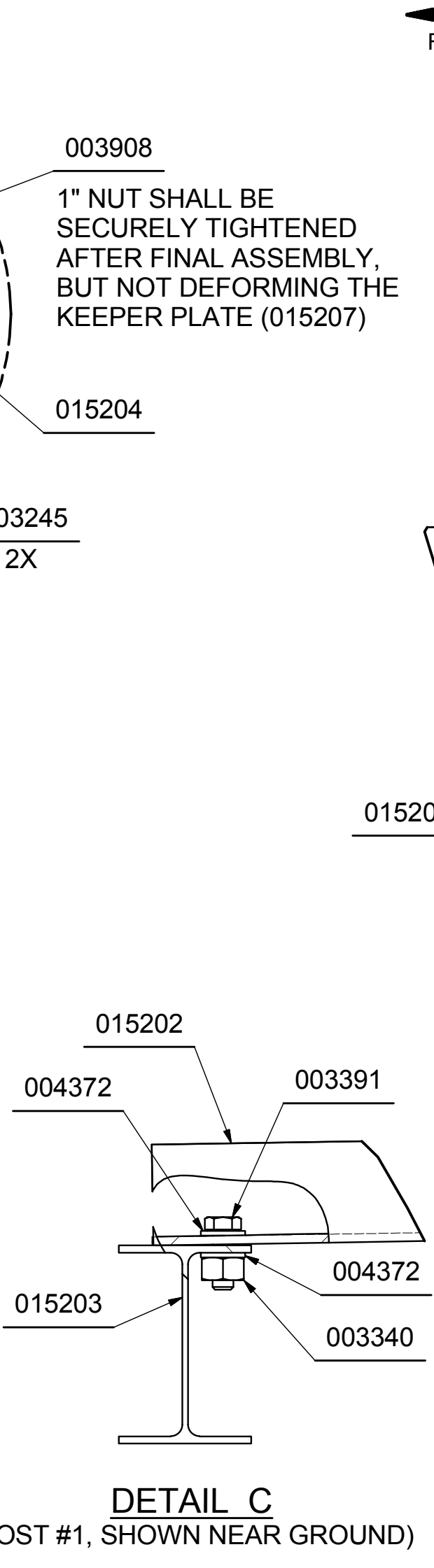
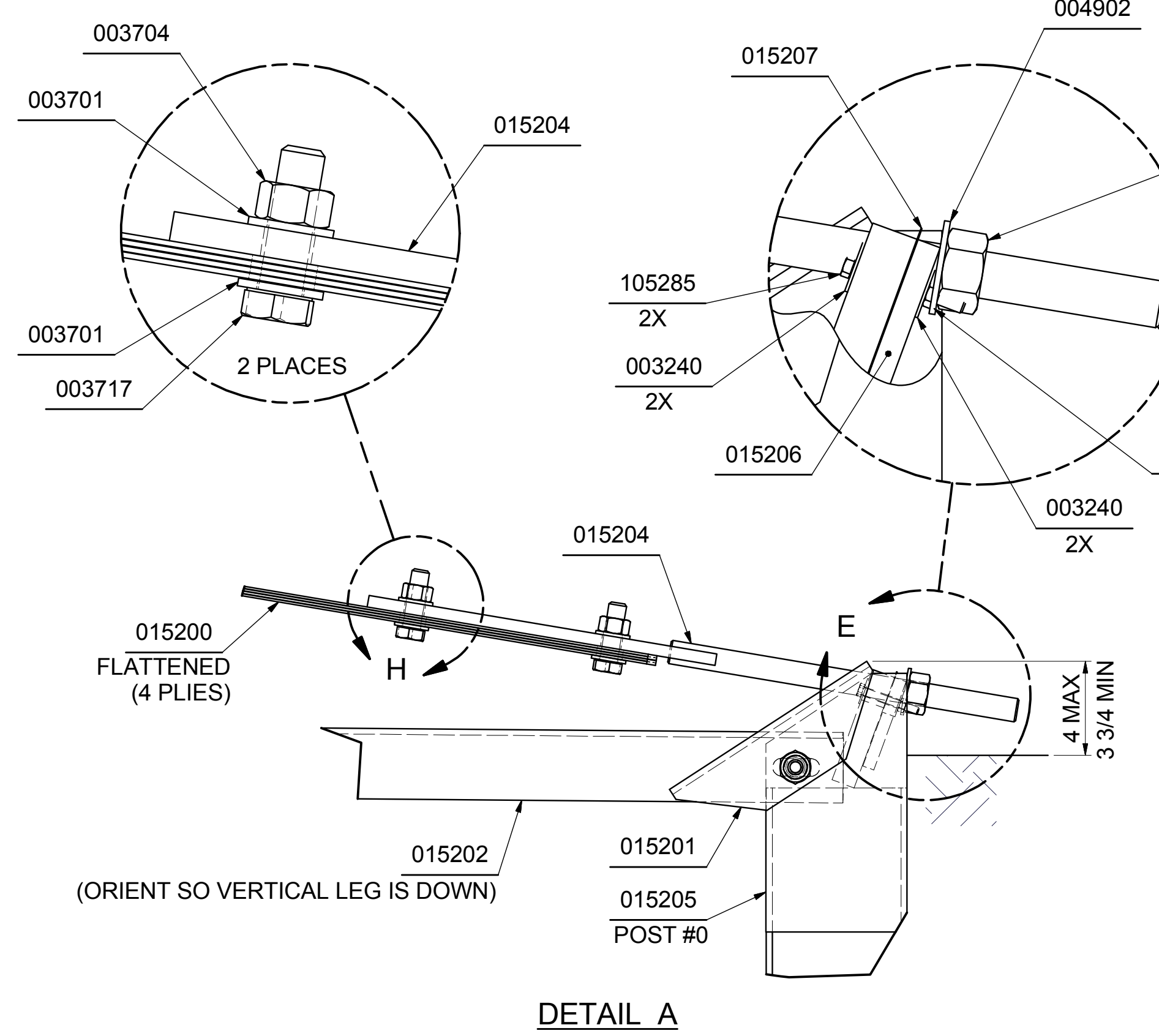
- NOTES:
- REFER TO SoftStop[®] (12" COMPOSITE BLOCKS) ASSEMBLY MANUAL.
 - PROPER SITE GRADING SHOULD BE ACCOMPLISHED IN ACCORDANCE WITH LOCAL SPECIFYING AGENCY GUIDELINES AND THE AASHTO ROADSIDE DESIGN GUIDE.
 - DO NOT ATTACH THE SoftStop[®] DIRECTLY TO A RIGID BARRIER.
 - UNDER NO CIRCUMSTANCES SHALL THE GUARDRAIL WITHIN THE SoftStop[®] BE CURVED.
 - MANUFACTURER SUGGESTS CUSTOMER TO PROVIDE REFLECTORIZATION OF THE TERMINAL.
 - IT IS ACCEPTABLE TO INSTALL THE SoftStop[®] IMPACT HEAD PARALLEL TO THE GRADE LINE OR WITH AN UPWARD TILT. SEE SoftStop[®] ASSEMBLY MANUAL FOR SPECIFIC DETAILS.

MATERIAL: SEE PARTS LIST	DRAWN: D. Salser	DATE: 7/26/2019	TOLERANCES PER THP-SF-001, UNLESS OTHERWISE SPECIFIED.		SoftStop [®] TERMINAL (12" BLOCKS) PLAN, ELEVATION & SECTION MASH TEST LEVEL 3 (TL-3) P/N: 500772			
FINISH: N/A	CHECKED: P. Kruse	DATE: 8/7/2019	DO NOT SCALE DRAWING					
UNLESS OTHERWISE NOTED, ALL DIMENSIONS ARE IN FEET/INCHES: DIMENSIONS ACCORDING TO ASME Y14.5M AND THP-SE-003 UNLESS OTHERWISE SPECIFIED.			Revision	ECO	Date	Rev	By	Chk.
EST UNFINISHED WT.: 0.0 lbs			INITIAL RELEASE	6641	7/26/19	-	DDS	/
			DRAWING:	SS 772	REV:	-	SHEET: 1 of 1	

NOTE:
 INSTALL SoftStop® PARALLEL TO ROADWAY.
 WHEN OFFSET IS REQUIRED BY DESIGN ENGINEER,
 SEE SoftStop® (12" COMPOSITE BLOCKS) MANUAL
 FOR REQUIREMENTS.



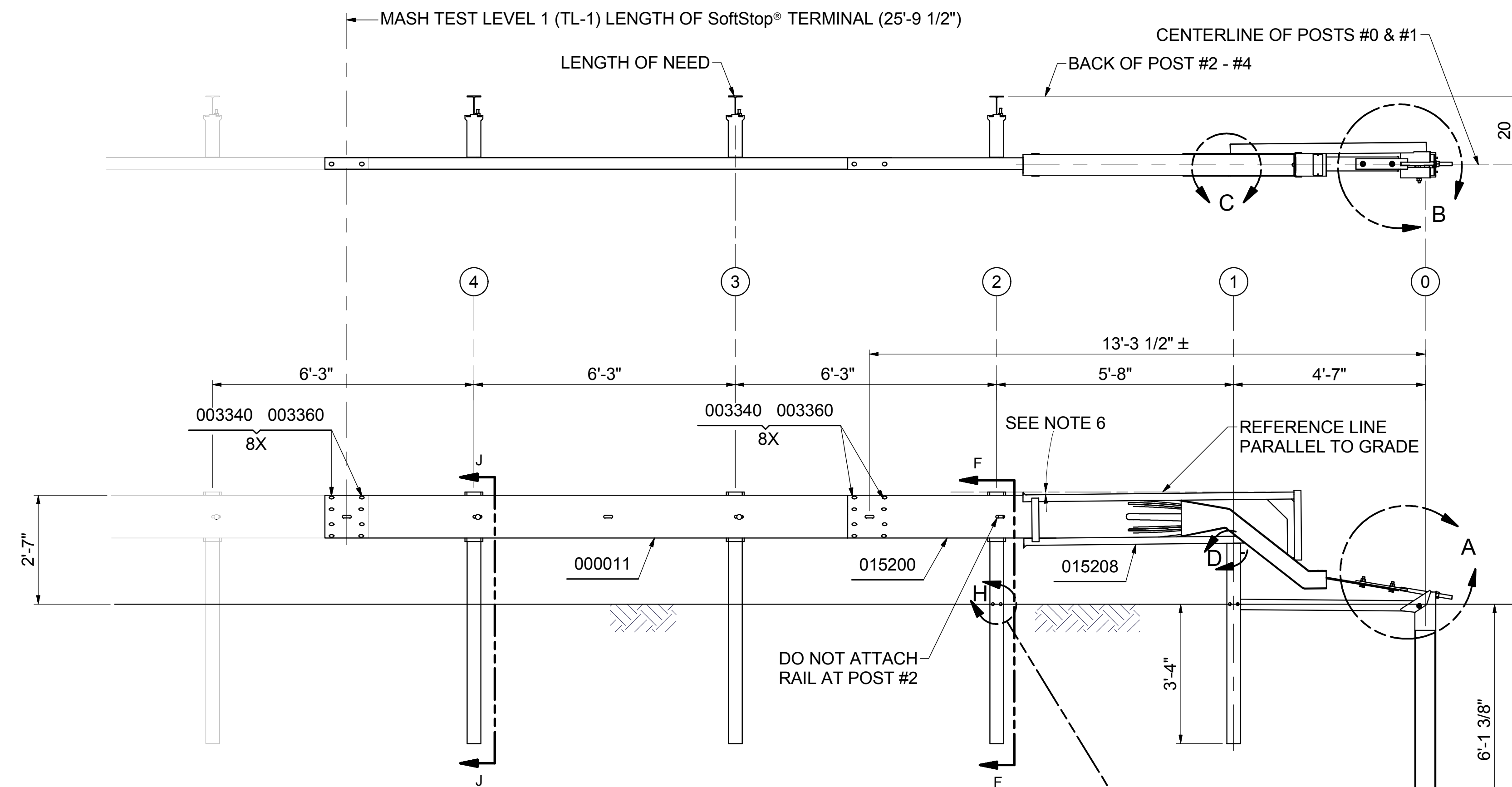
PARTS LIST		
PART NO.	QTY.	DESCRIPTION
000011	2	12/12'6/3'1.5/S
000533	4	6'-0" POST / W6 x 8.5#
006740	5	COMPOSITE BLOCK 12X6X14
015000	1	6'0 SYT PST/8.5/31" GR HT
015200	1	SFST-ANCHOR G.RAIL 12'-6"
015202	1	SFST-ANGLE STRUT
015203	1	SFST-POST#1 SYTP
015204	1	SFST-ANCHOR PADDLE
015205	1	SFST-POST#0
015208	1	STSP IMPACT HEAD
HARDWARE KIT 626787		
003240	6	5/16 ROUND WASHER WIDE
003245	3	5/16 HEX NUT
003340	31	NUT, HX, 5/8, G, RAIL
003360	24	5/8"X1.25" GR BOLT
003391	1	5/8"X1.75" HEX BOLT A325
003540	5	5/8"X14" GR BOLT A307
003701	4	3/4" ROUND WASHER F436
003704	2	3/4" HVY HEX NUT A563 DH
003717	2	3/4"X2.5" HEX BOLT A325
003908	1	1" HVY HEX NUT A563 DH
004372	4	5/8" WASHER F436
004489	1	5/8"X9" HEX BOLT A325
004902	1	1" ROUND WASHER F436
105285	2	5/16" X 2.5" HEX BOLT GRD 5
105286	1	5/16" X 1.5" HEX BOLT GRD 5
015201	2	SFST-ANCHOR ANGLE
015206	1	SFST-PLATE WASHER
015207	1	SFST-KEEPER PLATE



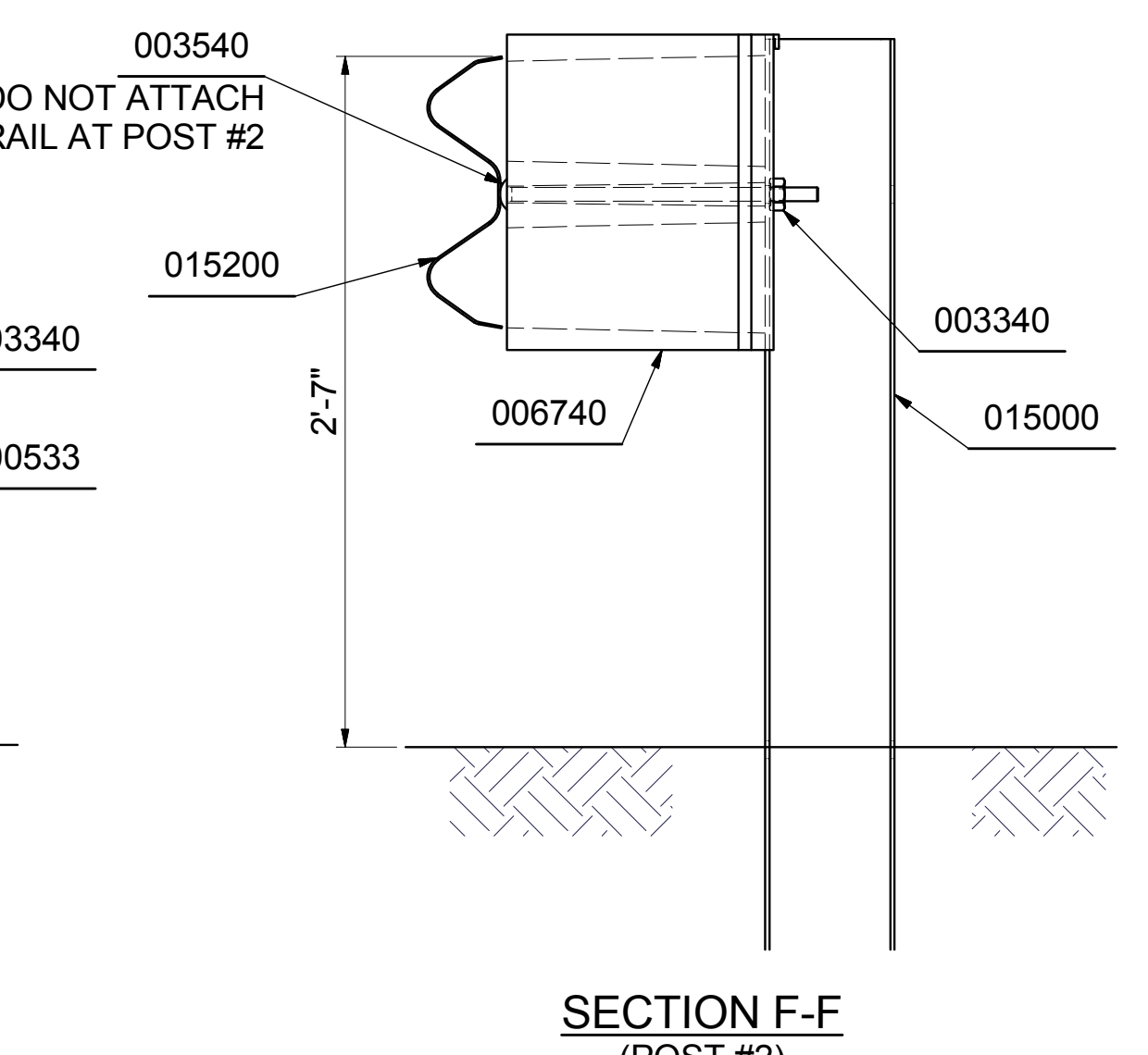
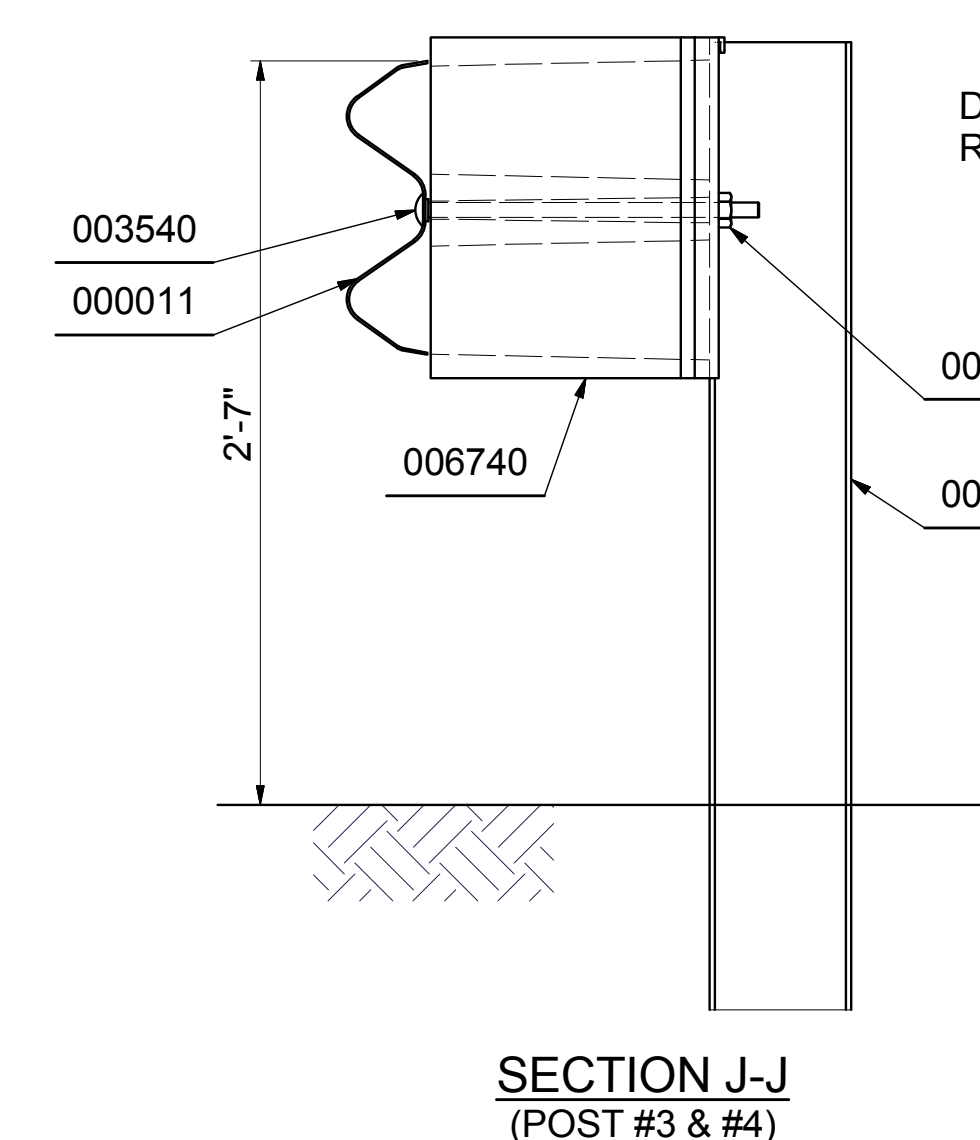
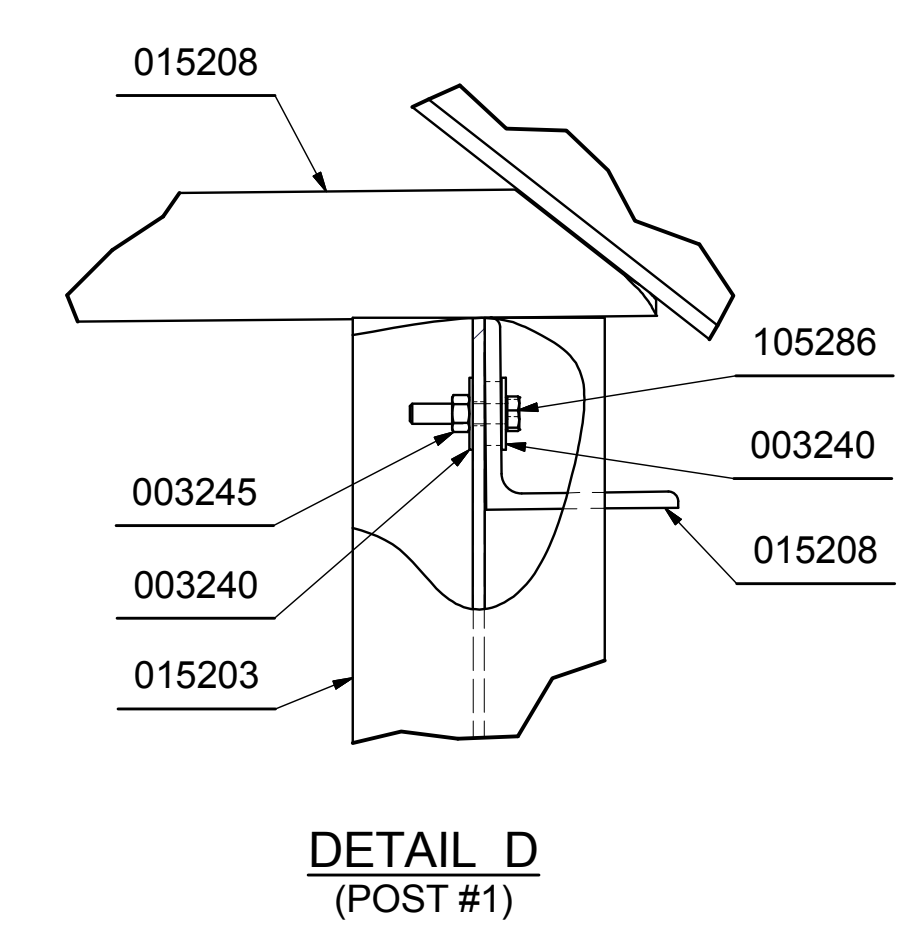
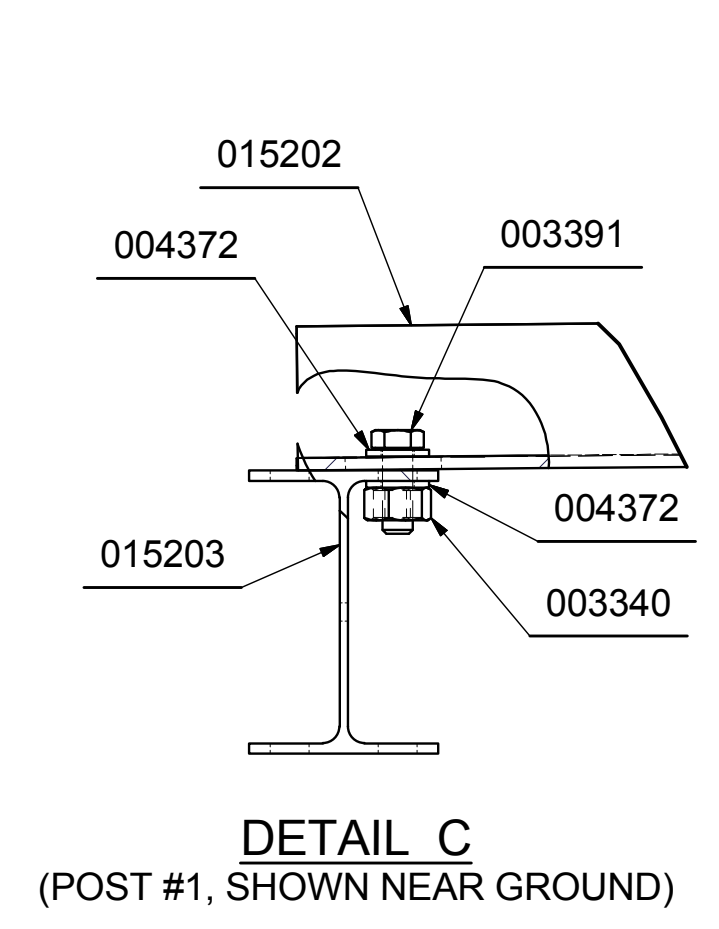
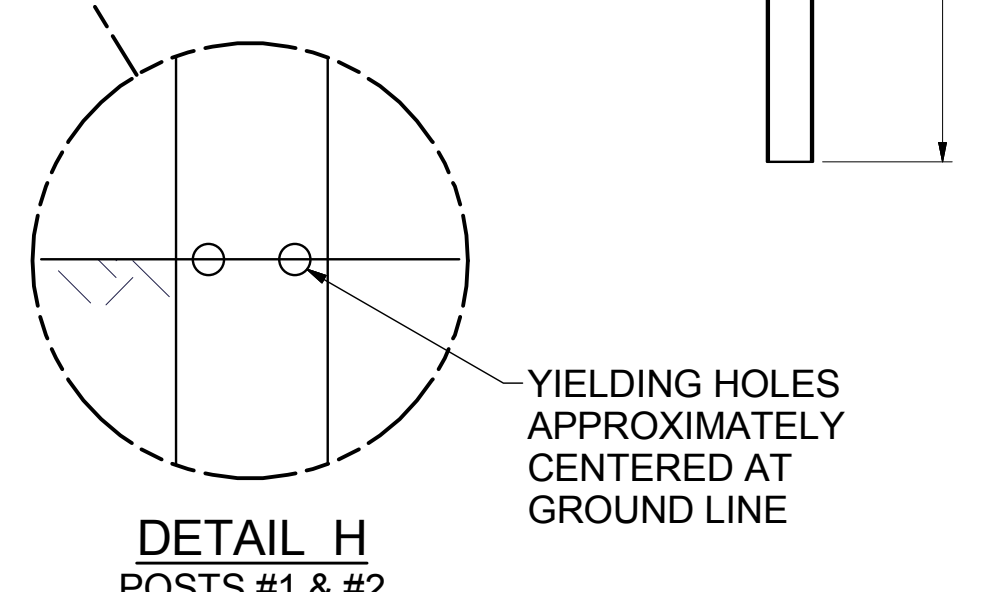
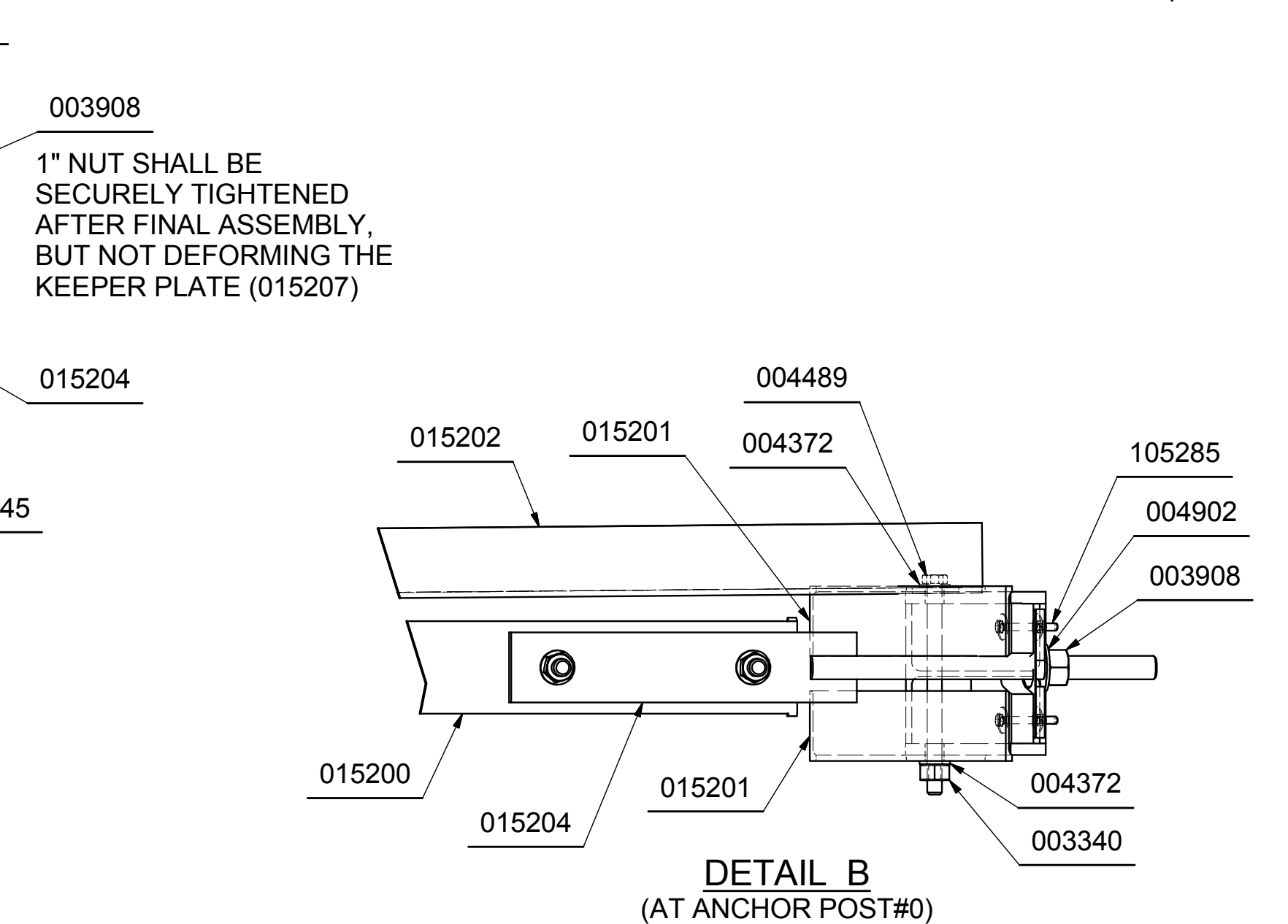
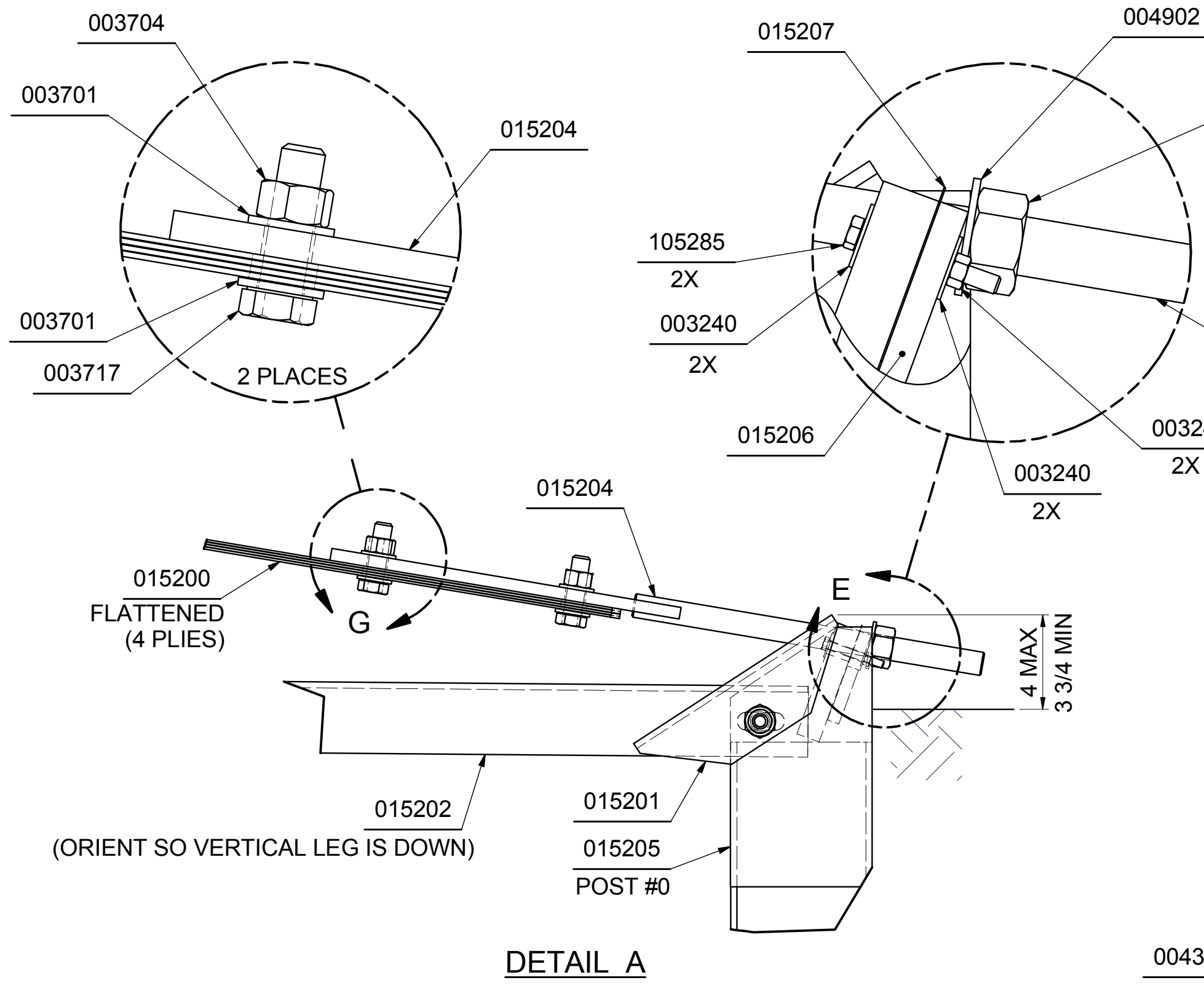
- NOTES:
- REFER TO SoftStop® (12" COMPOSITE BLOCKS) ASSEMBLY MANUAL.
 - PROPER SITE GRADING SHOULD BE ACCOMPLISHED IN ACCORDANCE WITH LOCAL SPECIFYING AGENCY GUIDELINES AND THE AASHTO ROADSIDE DESIGN GUIDE.
 - DO NOT ATTACH THE SoftStop® DIRECTLY TO A RIGID BARRIER.
 - UNDER NO CIRCUMSTANCES SHALL THE GUARDRAIL WITHIN THE SoftStop® BE CURVED.
 - MANUFACTURER SUGGESTS CUSTOMER TO PROVIDE REFLECTORIZATION OF THE TERMINAL.
 - IT IS ACCEPTABLE TO INSTALL THE SoftStop® IMPACT HEAD PARALLEL TO THE GRADE LINE OR WITH AN UPWARD TILT. SEE SoftStop® ASSEMBLY MANUAL FOR SPECIFIC DETAILS.

MATERIAL: SEE PARTS LIST	DRAWN: D. Salser	DATE: 8/1/2019	TOLERANCES PER THP-SF-001, UNLESS OTHERWISE SPECIFIED.	SoftStop® TERMINAL, (12" BLOCKS) PLAN, ELEVATION & SECTION MASH TEST LEVEL 2 (TL-2) P/N: 500773			
FINISH: N/A	CHECKED: P. Kruse	DATE: 8/7/2019	DO NOT SCALE DRAWING				
UNLESS OTHERWISE NOTED, ALL DIMENSIONS ARE IN FEET/INCHES. DIMENSIONS ACCORDING TO ASME Y14.5M AND THP-SF-003 UNLESS OTHERWISE SPECIFIED.			ECO	Date	Rev	By	Chk.
EST UNFINISHED WT: 0.0 lbs			6641	8/1/19	-	DDS	/
DRAWING: SS 773			REV: -	SHEET: 1 of 1			© 2019 Trinity Highway Products, LLC. All rights reserved. THP-FE-052 Rev D, 8/29/2018

NOTE:
 INSTALL SoftStop® PARALLEL TO ROADWAY.
 WHEN OFFSET IS REQUIRED BY DESIGN ENGINEER,
 SEE SoftStop® (12" COMPOSITE BLOCKS) MANUAL
 FOR REQUIREMENTS.



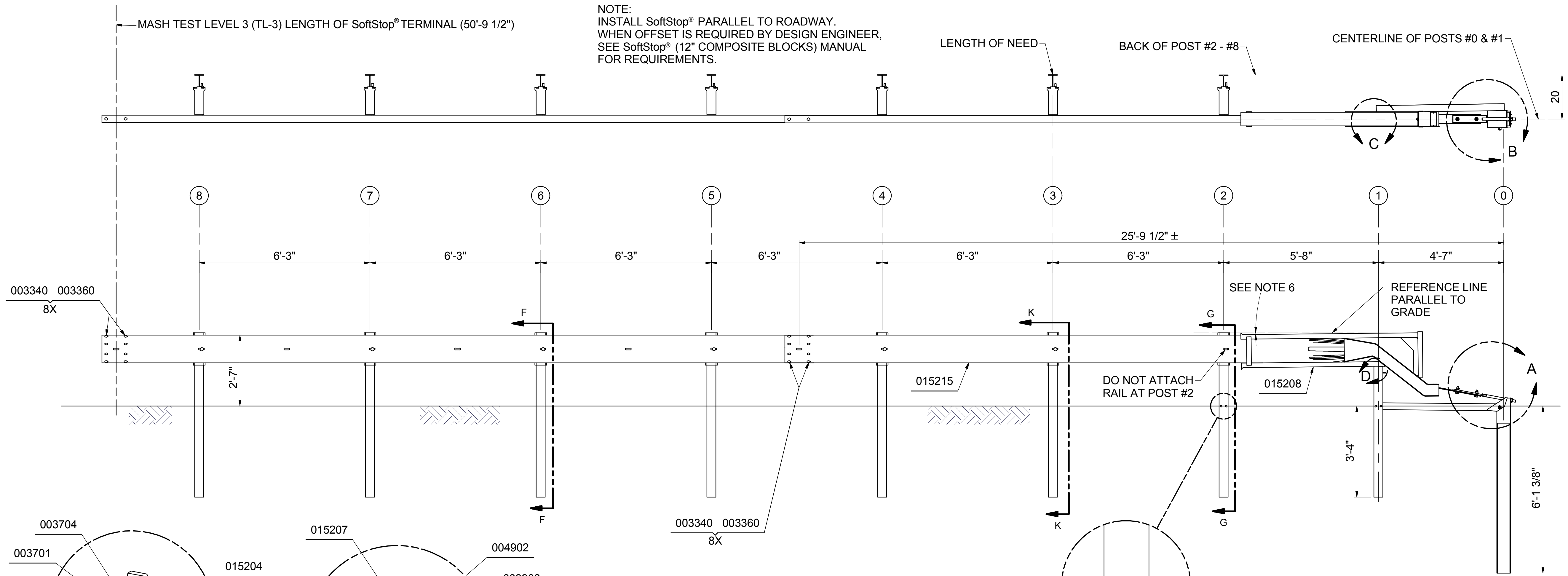
PARTS LIST		
PART NO.	QTY.	DESCRIPTION
000011	1	12/12'6/3'1, 5/S
000533	2	6'-0" POST / W6 x 8.5#
006740	3	COMPOSITE BLOCK 12X6X14
015000	1	6'0 SYT PST/8.5/31" GR HT
015200	1	SFST-ANCHOR G.RAIL 12'-6"
015202	1	SFST-ANGLE STRUT
015203	1	SFST-POST#1 SYTP
015204	1	SFST-ANCHOR PADDLE
015205	1	SFST-POST#0
015208	1	SFST-IMPACT HEAD
HARDWARE KIT 626788		
003240	6	5/16 ROUND WASHER WIDE
003245	3	5/16 HEX NUT
003340	21	NUT, HX, 5/8, G, RAIL
003360	16	5/8"X1.25" GR BOLT
003391	1	5/8"X1.75" HEX BOLT A325
003540	3	5/8"X14" GR BOLT A307
003701	4	3/4" ROUND WASHER F436
003704	2	3/4" HVY HEX NUT A563 DH
003717	2	3/4"X2.5" HEX BOLT A325
003908	1	1" HVY HEX NUT A563 DH
004372	4	5/8" WASHER F436
004489	1	5/8"X9" HEX BOLT A325
004902	1	1" ROUND WASHER F436
105285	2	5/16" X 2.5" HEX BOLT GRD 5
105286	1	5/16" X 1.5" HEX BOLT GRD 5
015201	2	SFST-ANCHOR ANGLE
015206	1	SFST-PLATE WASHER
015207	1	SFST-KEEPER PLATE



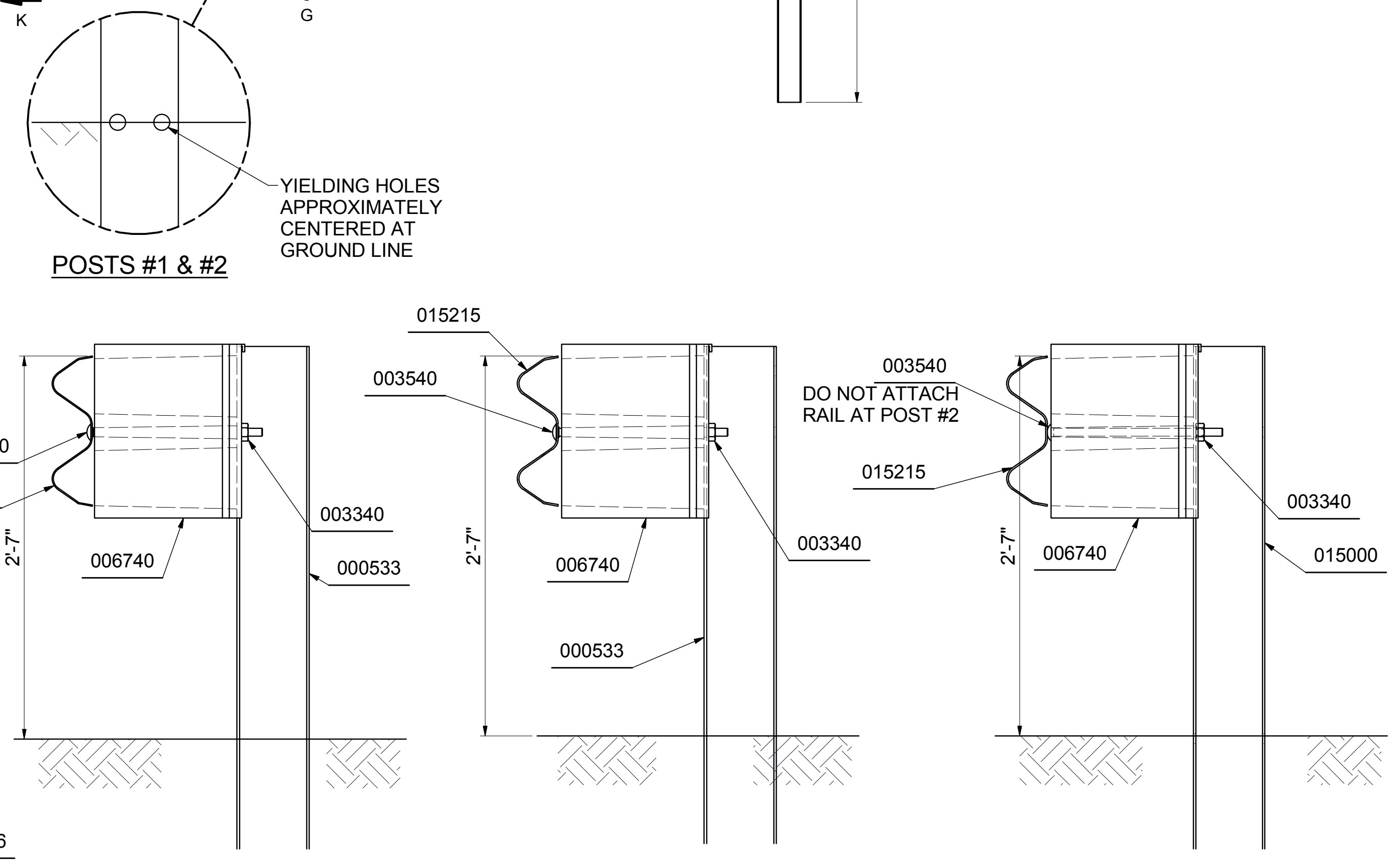
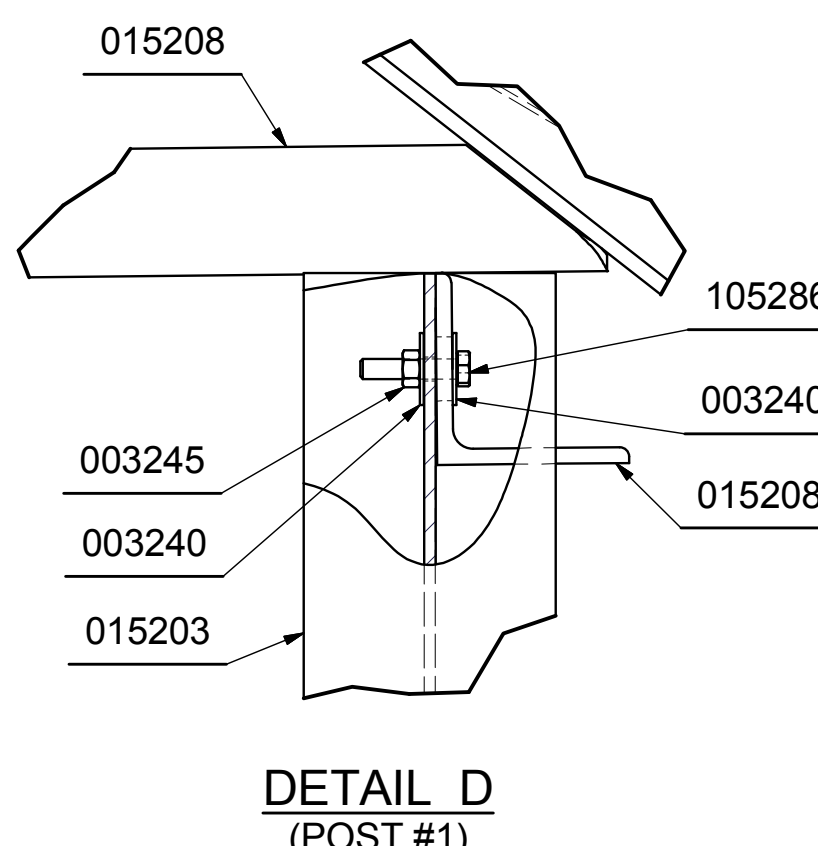
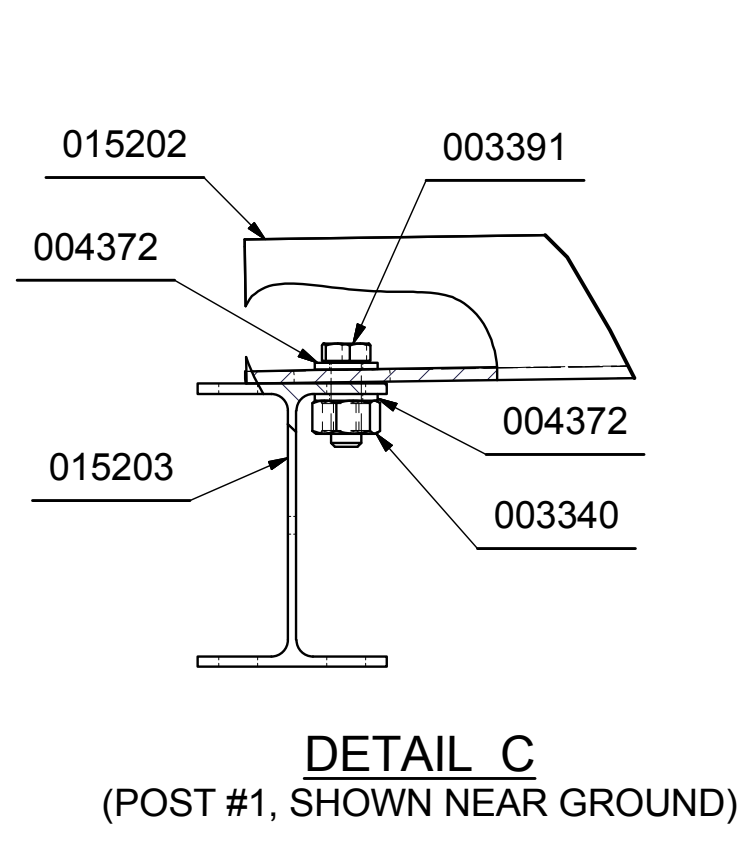
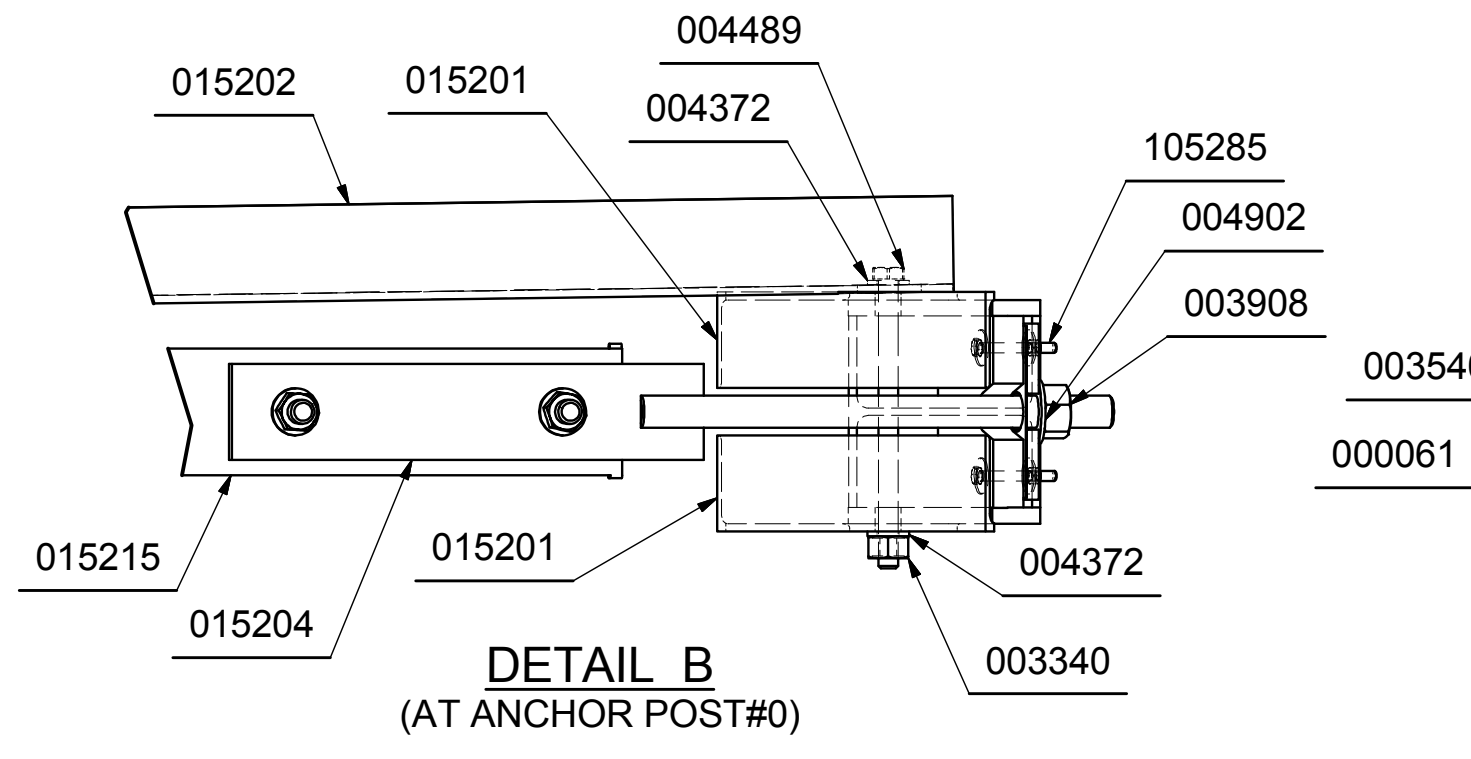
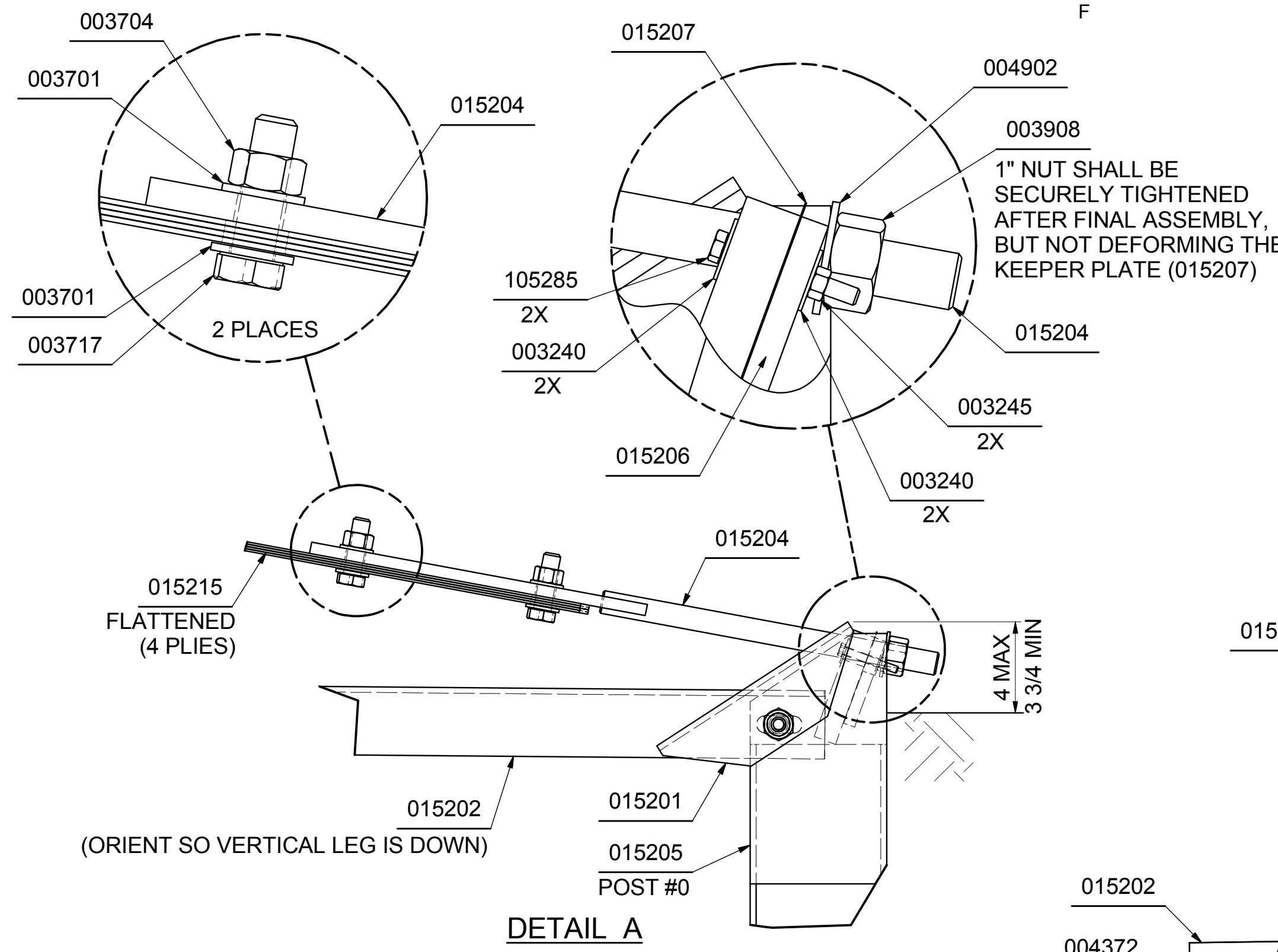
- NOTES:
- REFER TO SoftStop® (12" COMPOSITE BLOCKS) ASSEMBLY MANUAL.
 - PROPER SITE GRADING SHOULD BE ACCOMPLISHED IN ACCORDANCE WITH LOCAL SPECIFYING AGENCY GUIDELINES AND THE AASHTO ROADSIDE DESIGN GUIDE.
 - DO NOT ATTACH THE SoftStop® DIRECTLY TO A RIGID BARRIER.
 - UNDER NO CIRCUMSTANCES SHALL THE GUARDRAIL WITHIN THE SoftStop® BE CURVED.
 - MANUFACTURER SUGGESTS CUSTOMER TO PROVIDE REFLECTORIZATION OF THE TERMINAL.
 - IT IS ACCEPTABLE TO INSTALL THE SoftStop® IMPACT HEAD PARALLEL TO THE GRADE LINE OR WITH AN UPWARD TILT. SEE SoftStop® ASSEMBLY MANUAL FOR SPECIFIC DETAILS.

MATERIAL: SEE PARTS LIST	DRAWN: D. Salser	DATE: 8/1/2019	TOLERANCES PER THP-SF-001, UNLESS OTHERWISE SPECIFIED.	SoftStop® TERMINAL (12" BLOCKS) PLAN, ELEVATION & SECTION MASH TEST LEVEL 1 (TL-1) P/N: 500774		
FINISH: N/A	CHECKED: P. Kruse	DATE: 8/7/2019	DO NOT SCALE DRAWING			
EST UNFINISHED WT: 0.0 lbs	Revision	ECO	Date	Rev	By	Chk.
	INITIAL RELEASE	6641	8/1/19	-	DDS	/
	DRAWING:	SS 774	REV:	-	SHEET:	1 of 1

© 2019 Trinity Highway Products, LLC. All rights reserved.
 THP-FE-052 Rev D, 8/29/2018



PARTS LIST		
PART NO.	QTY.	DESCRIPTION
000061	1	12/25"0'3'1.5/S
000533	6	6'-0" POST / W6 x 8.5#
006740	7	COMPOSITE BLOCK 12X6X14
015000	1	6'0 SYT PST/8.5/31" GR HT
015202	1	SFST-ANGLE STRUT
015203	1	SFST-POST#1 SYTP
015204	1	SFST-ANCHOR PADDLE
015205	1	SFST-POST#0
015208	1	SFST-IMPACT HEAD
015215	1	SFST-ANCHOR G.RAIL 25'-0"
HARDWARE KIT 626786		
003240	6	5/16 ROUND WASHER WIDE
003245	3	5/16 HEX NUT
003340	25	NUT, HX, 5/8, G, RAIL
003360	16	5/8"X1.25" GR BOLT
003391	1	5/8"X1.75" HEX BOLT A325
003540	7	5/8"X14" GR BOLT A307
003701	4	3/4" ROUND WASHER F436
003704	2	3/4" HVY HEX NUT A563 DH
003717	2	3/4"X2.5" HEX BOLT A325
003908	1	1" HVY HEX NUT A563 DH
004372	4	5/8" WASHER F436
004489	1	5/8"X9" HEX BOLT A325
004902	1	1" ROUND WASHER F436
105285	2	5/16" X 2.5" HEX BOLT GRD 5
105286	1	5/16" X 1.5" HEX BOLT GRD 5
015201	2	SFST-ANCHOR ANGLE
015206	1	SFST-PLATE WASHER
015207	1	SFST-KEEPER PLATE



- NOTES:
- REFER TO SoftStop® (12" COMPOSITE BLOCKS) ASSEMBLY MANUAL.
 - PROPER SITE GRADING SHOULD BE ACCOMPLISHED IN ACCORDANCE WITH LOCAL SPECIFYING AGENCY GUIDELINES AND THE AASHTO ROADSIDE DESIGN GUIDE.
 - DO NOT ATTACH THE SoftStop® DIRECTLY TO A RIGID BARRIER.
 - UNDER NO CIRCUMSTANCES SHALL THE GUARDRAIL WITHIN THE SoftStop® BE CURVED.
 - MANUFACTURER SUGGESTS CUSTOMER TO PROVIDE REFLECTORIZATION OF THE TERMINAL.
 - IT IS ACCEPTABLE TO INSTALL THE SoftStop® IMPACT HEAD PARALLEL TO THE GRADE LINE OR WITH AN UPWARD TILT. SEE SoftStop® ASSEMBLY MANUAL FOR SPECIFIC DETAILS.

MATERIAL: SEE PARTS LIST	DRAWN: D. Salser	DATE: 7/31/2019	TOLERANCES PER THP-SF-001, UNLESS OTHERWISE SPECIFIED.			SoftStop® TERMINAL (12" BLOCKS) PLAN, ELEVATION & SECTION MASH TEST LEVEL 3 (TL-3) P/N: 500775		
FINISH: N/A	CHECKED: P. Kruse	DATE: 8/7/2019	DO NOT SCALE DRAWING					
UNLESS OTHERWISE NOTED, ALL DIMENSIONS ARE IN FEET/INCHES: DIMENSIONS ACCORDING TO ASME Y14.5M AND THP-SF-003 UNLESS OTHERWISE SPECIFIED.			Revision	ECO	Date	Rev	By	Chk.
EST UNFINISHED WT.: 0.0 lbs			INITIAL RELEASE	6641	7/31/19	-	DDS	/
			DRAWING:	SS 775	REV:	-	SHEET:	1 of 1

© 2019 Trinity Highway Products, LLC. All rights reserved.
THP-FE-052 Rev D, 8/29/2018