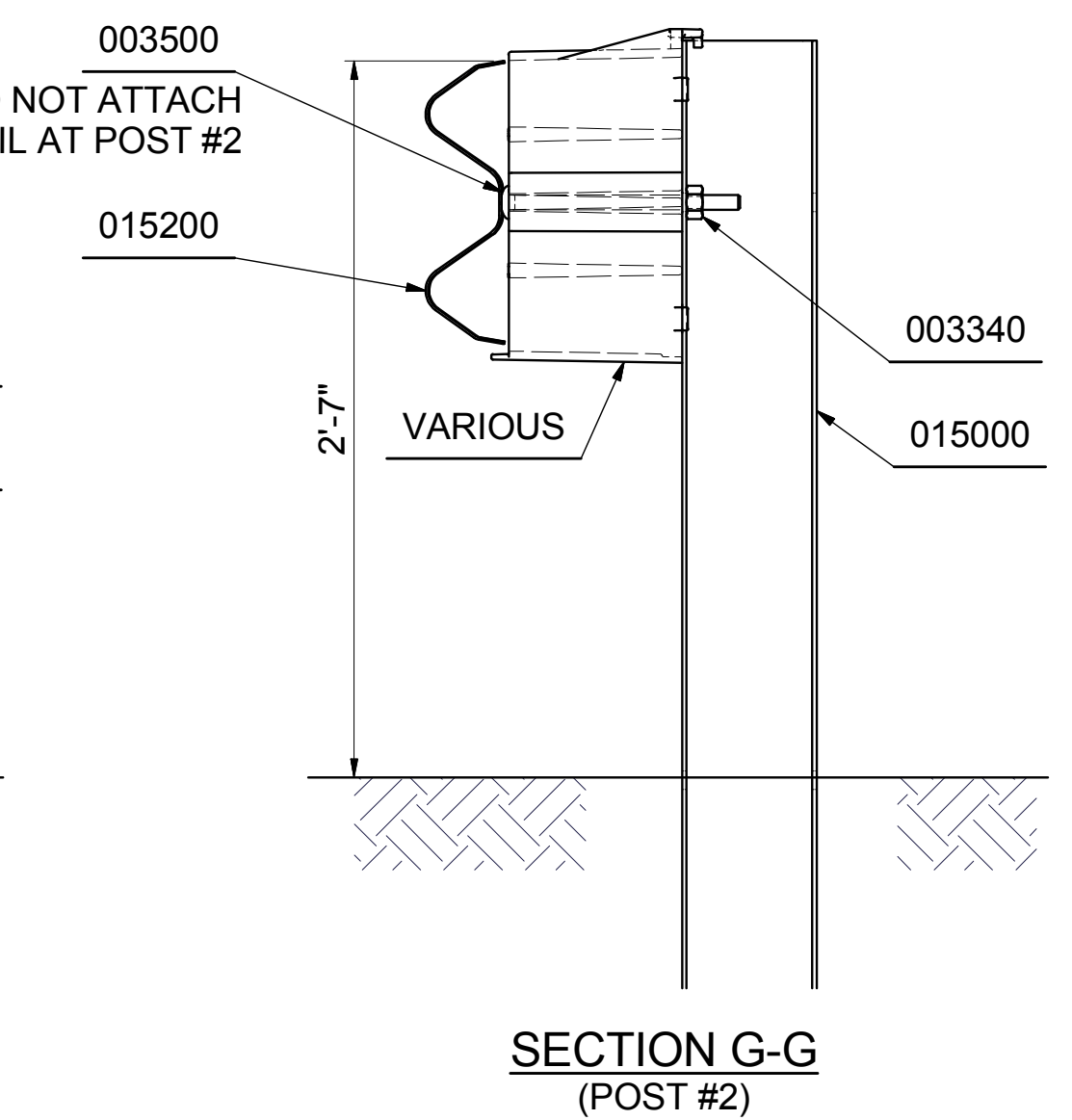
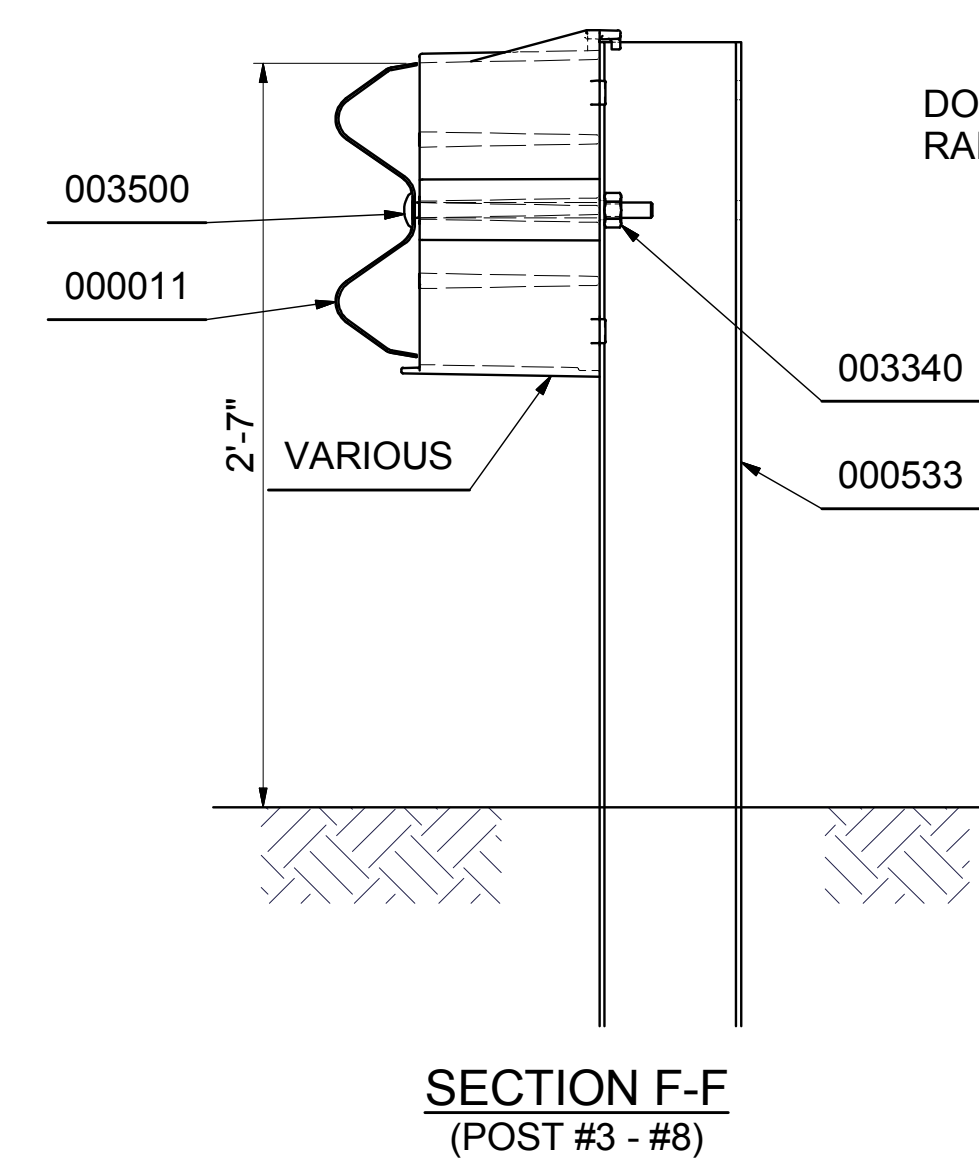
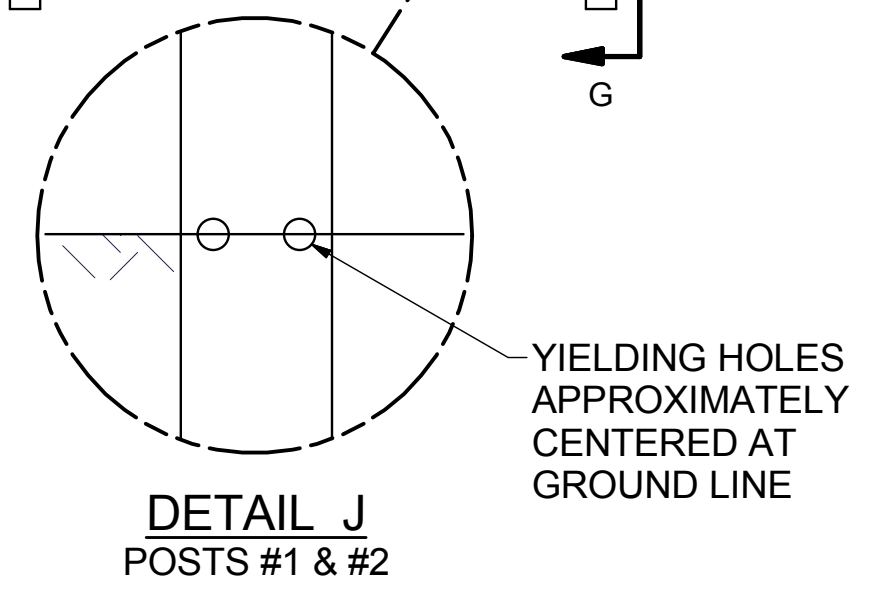
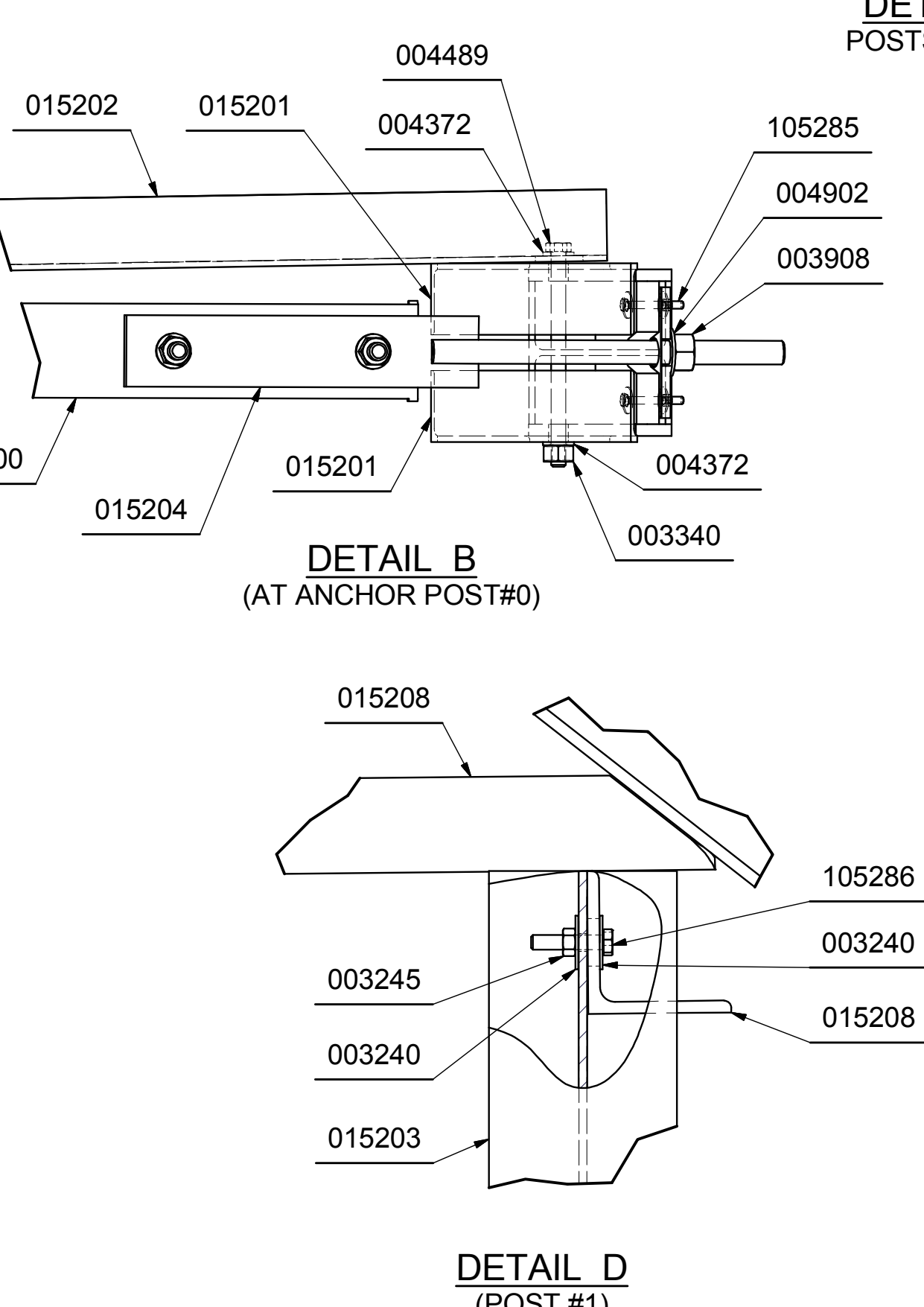
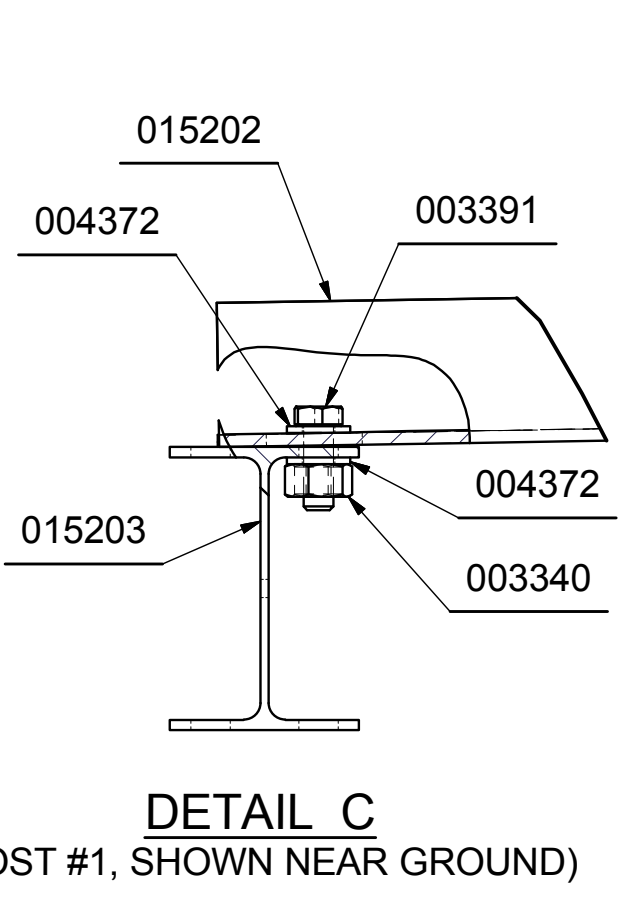
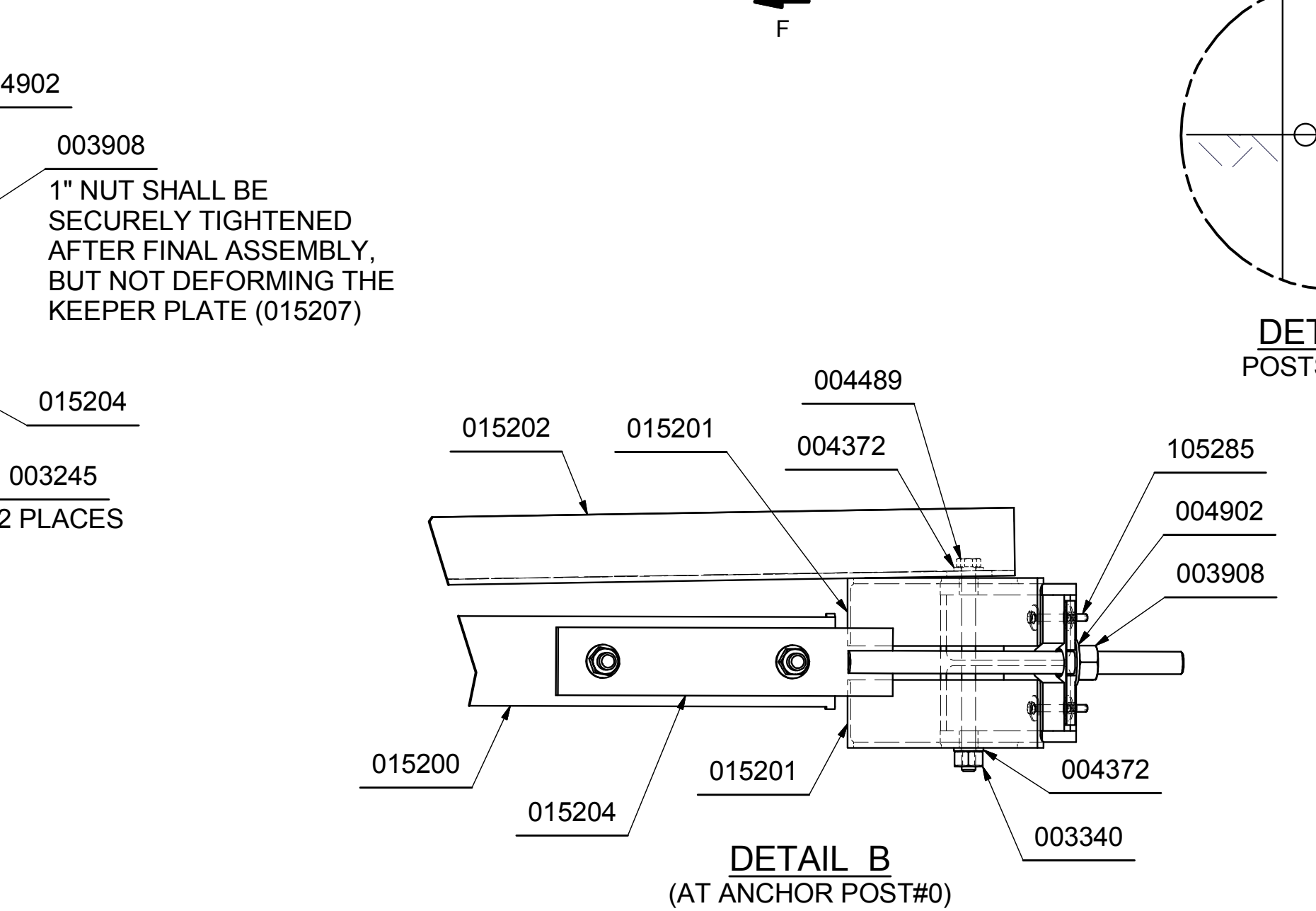
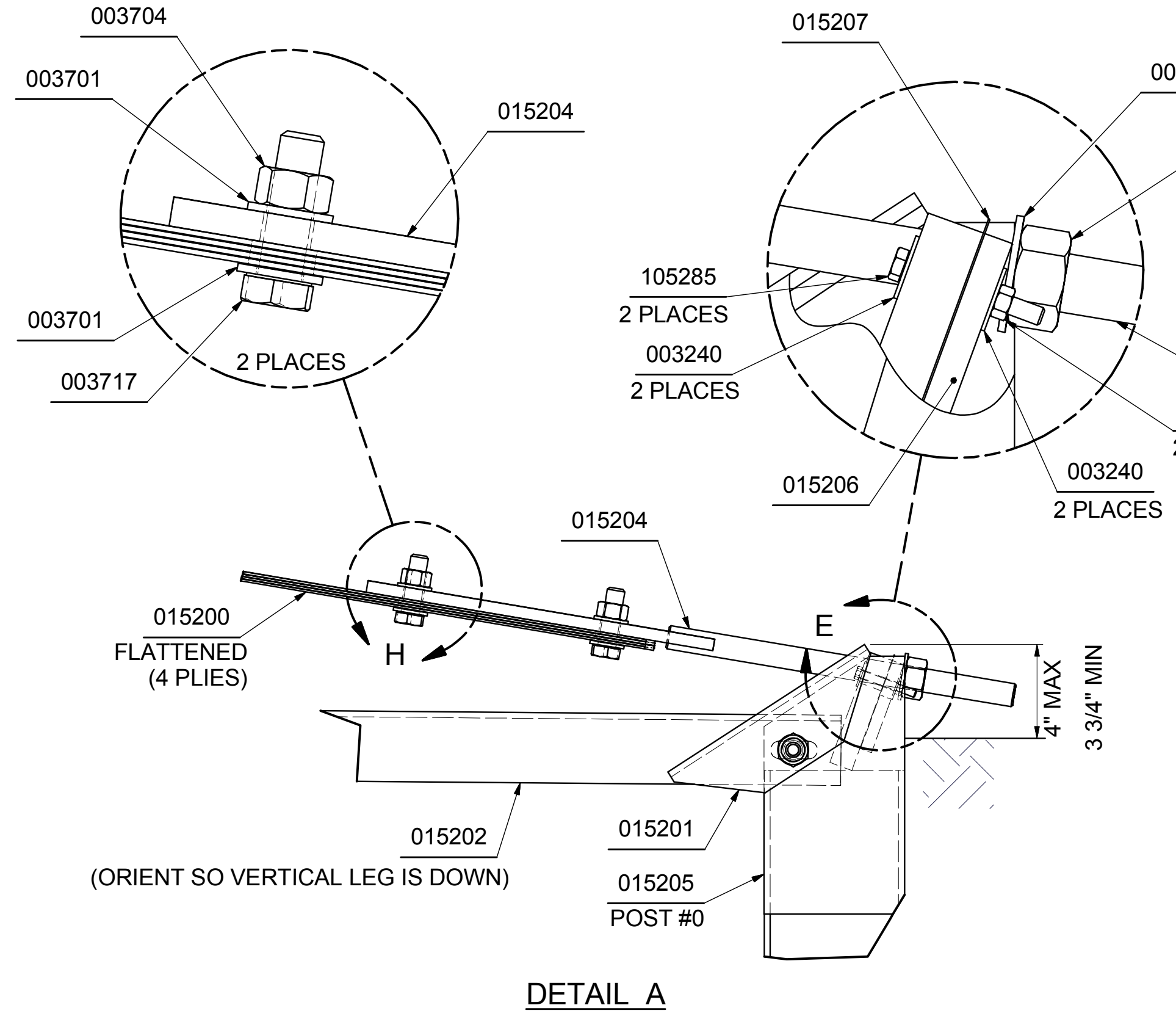
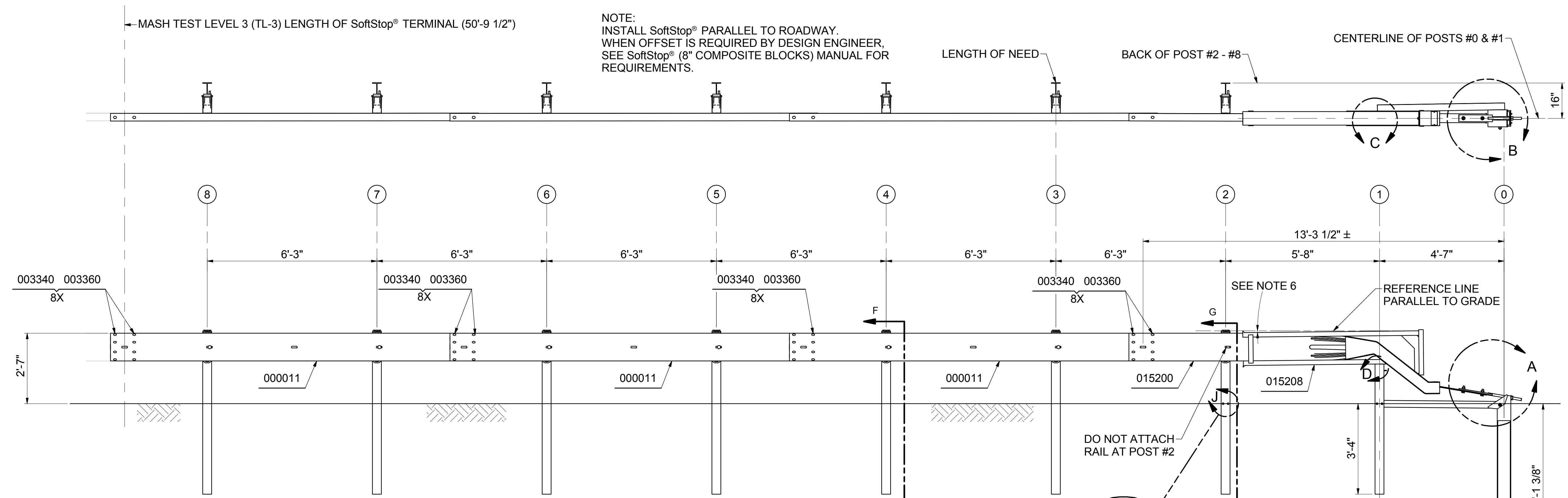


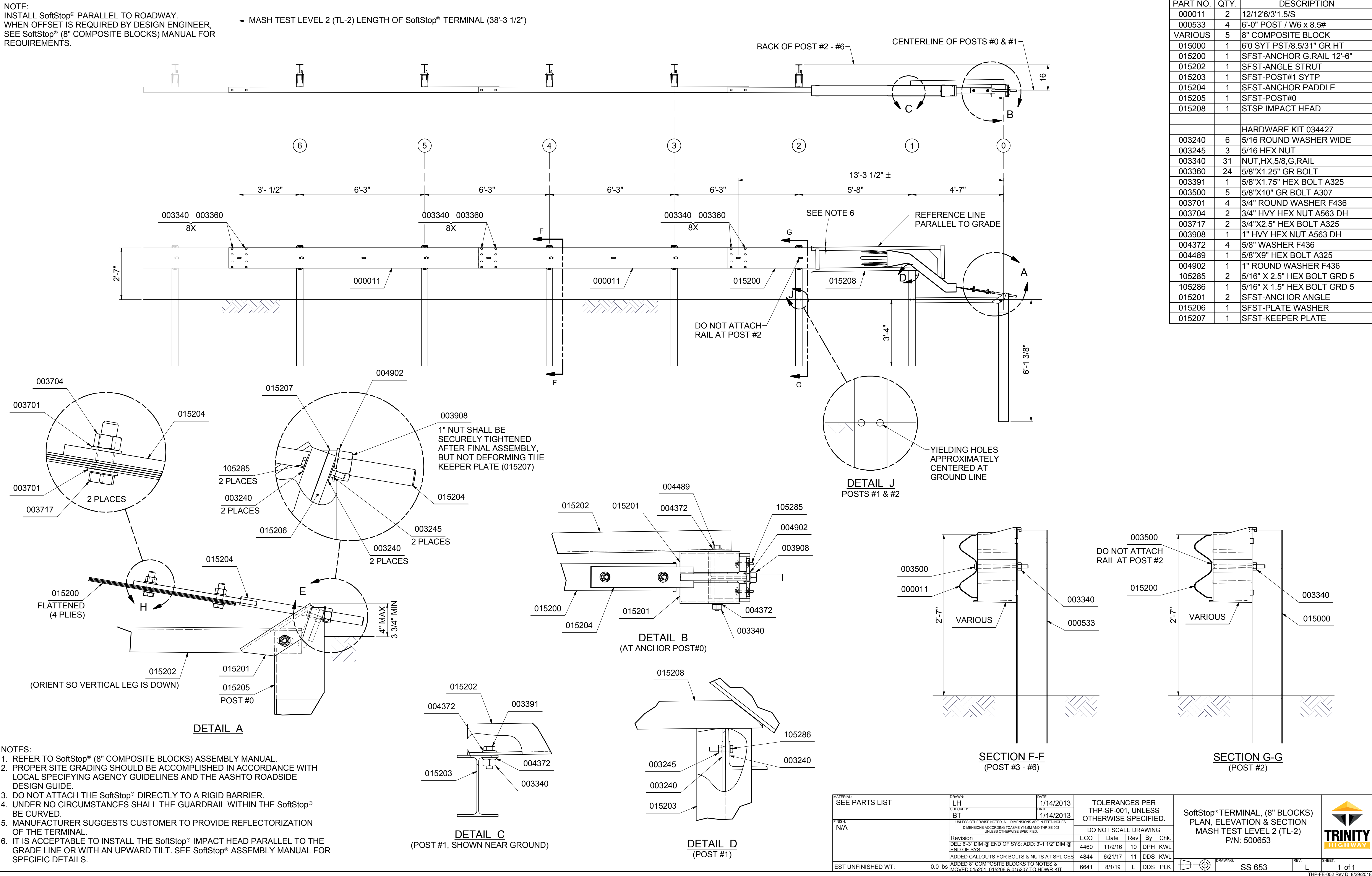
PARTS LIST		
PART NO.	QTY.	DESCRIPTION
000011	3	12/12/6/3/1.5/S
000533	6	6'-0" POST / W6 x 8.5#
VARIOUS	7	8" COMPOSITE BLOCK
015000	1	6'0 SYT PST/8.5/31" GR HT
015200	1	SFST-ANCHOR G.RAIL 12'-6"
015202	1	SFST-ANGLE STRUT
015203	1	SFST-POST#1 SYTP
015204	1	SFST-ANCHOR PADDLE
015205	1	SFST-POST#0
015208	1	SFST-IMPACT HEAD
HARDWARE KIT 034429		
003240	6	5/16 ROUND WASHER WIDE
003245	3	5/16 HEX NUT
003340	41	NUT, HX, 5/8, G, RAIL
003360	32	5/8" X 1.25" GR BOLT
003391	1	5/8" X 1.75" HEX BOLT A325
003500	7	5/8" X 10" GR BOLT A307
003701	4	3/4" ROUND WASHER F436
003704	2	3/4" HVY HEX NUT A563 DH
003717	2	3/4" X 2.5" HEX BOLT A325
003908	1	1" HVY HEX NUT A563 DH
004372	4	5/8" WASHER F436
004489	1	5/8" X 9" HEX BOLT A325
004902	1	1" ROUND WASHER F436
105285	2	5/16" X 2.5" HEX BOLT GRD 5
105286	1	5/16" X 1.5" HEX BOLT GRD 5
015201	2	SFST-ANCHOR ANGLE
015206	1	SFST-PLATE WASHER
015207	1	SFST-KEEPER PLATE



- NOTES:
- REFER TO SoftStop® (8" COMPOSITE BLOCKS) ASSEMBLY MANUAL.
  - PROPER SITE GRADING SHOULD BE ACCOMPLISHED IN ACCORDANCE WITH LOCAL SPECIFYING AGENCY GUIDELINES AND THE AASHTO ROADSIDE DESIGN GUIDE.
  - DO NOT ATTACH THE SoftStop® DIRECTLY TO A RIGID BARRIER.
  - UNDER NO CIRCUMSTANCES SHALL THE GUARDRAIL WITHIN THE SoftStop® BE CURVED.
  - MANUFACTURER SUGGESTS CUSTOMER TO PROVIDE REFLECTORIZATION OF THE TERMINAL.
  - IT IS ACCEPTABLE TO INSTALL THE SoftStop® IMPACT HEAD PARALLEL TO THE GRADE LINE OR WITH AN UPWARD TILT. SEE SoftStop® ASSEMBLY MANUAL FOR SPECIFIC DETAILS.

MATERIAL: SEE PARTS LIST	DRAWN: BT	DATE: 11/14/2012	TOLERANCES PER THP-SF-001, UNLESS OTHERWISE SPECIFIED.		SoftStop® TERMINAL (8" BLOCKS) PLAN, ELEVATION & SECTION MASH TEST LEVEL 3 (TL-3) P/N: 500646			
FINISH: N/A	CHECKED: BS	DATE: 11/14/2012	DO NOT SCALE DRAWING					
UNLESS OTHERWISE NOTED, ALL DIMENSIONS ARE IN FEET/INCHES: DIMENSIONS ACCORDING TO ASME Y14.5M AND THP-SF-003 UNLESS OTHERWISE SPECIFIED.			Revision	ECO	Date	Rev	By	Chk.
ADDED CALLOUTS FOR BOLTS & NUTS AT SPLICES			4844	6/21/17	7	DDS	KWL	
UPDATED 16" DIMENSION, REPLACED LENGTH OF			4889	7/27/17	H	DDS	KWL	
NEED CALLOUT MISSING FROM REV. 7			6641	8/11/19	1	DDS	PLK	
ADDED 8" COMPOSITE BLOCKS TO NOTES & MOVED 015201, 015206 & 015207 TO HDWR KIT								
EST UNFINISHED WT:	0.0 lbs							

NOTE:  
 INSTALL SoftStop® PARALLEL TO ROADWAY.  
 WHEN OFFSET IS REQUIRED BY DESIGN ENGINEER,  
 SEE SoftStop® (8" COMPOSITE BLOCKS) MANUAL FOR  
 REQUIREMENTS.

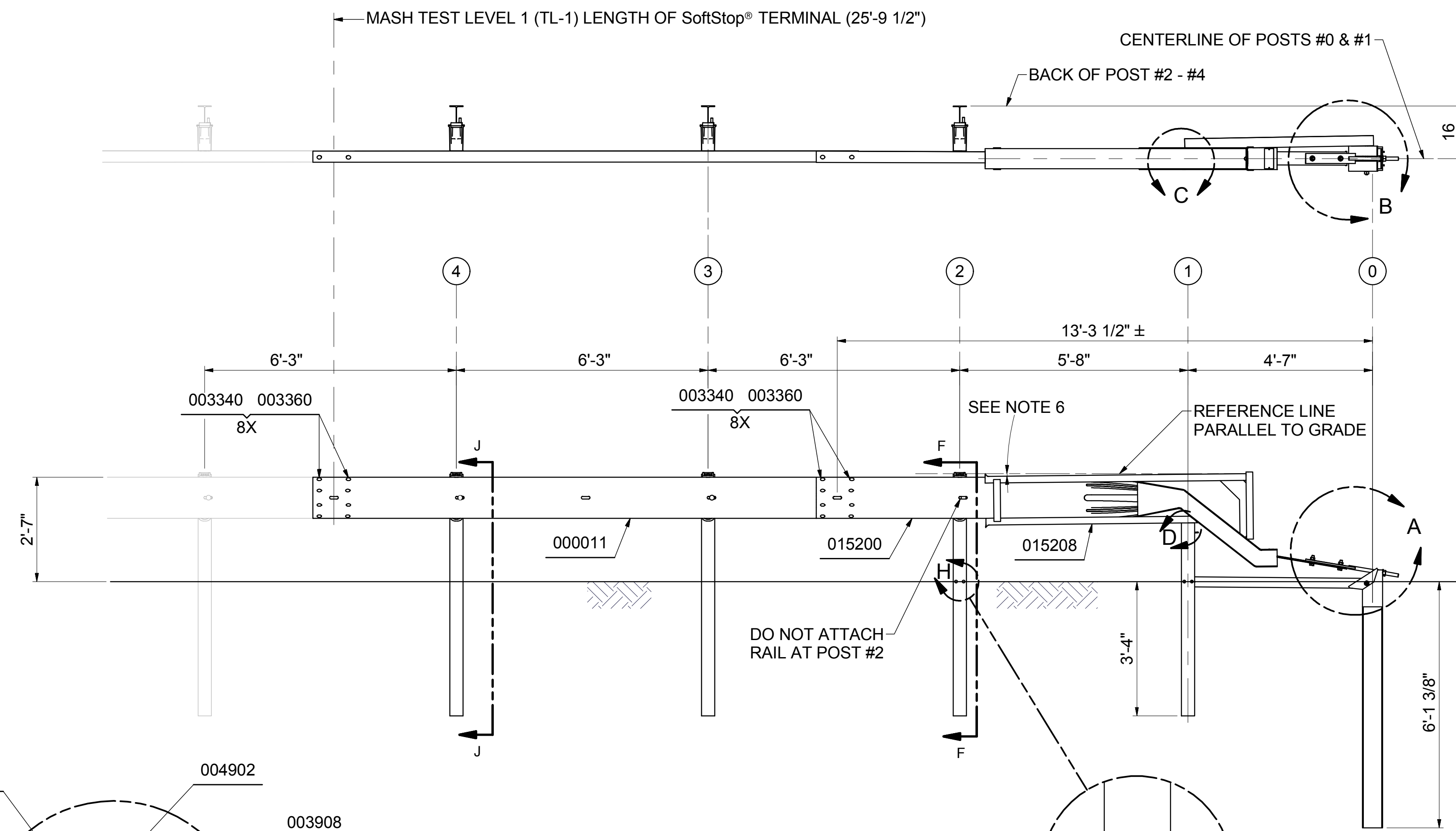


PARTS LIST		
PART NO.	QTY.	DESCRIPTION
000011	2	12/12'6/3'1, 5/S
000533	4	6'-0" POST / W6 x 8.5#
VARIOUS	5	8" COMPOSITE BLOCK
015000	1	6'0 SYT PST/8.5/31" GR HT
015200	1	SFST-ANCHOR G.RAIL 12'-6"
015202	1	SFST-ANGLE STRUT
015203	1	SFST-POST#1 SYTP
015204	1	SFST-ANCHOR PADDLE
015205	1	SFST-POST#0
015208	1	STSP IMPACT HEAD
HARDWARE KIT 034427		
003240	6	5/16 ROUND WASHER WIDE
003245	3	5/16 HEX NUT
003340	31	NUT, HX, 5/8, G, RAIL
003360	24	5/8"X1.25" GR BOLT
003391	1	5/8"X1.75" HEX BOLT A325
003500	5	5/8"X10" GR BOLT A307
003701	4	3/4" ROUND WASHER F436
003704	2	3/4" HVY HEX NUT A563 DH
003717	2	3/4"X2.5" HEX BOLT A325
003908	1	1" HVY HEX NUT A563 DH
004372	4	5/8" WASHER F436
004489	1	5/8"X9" HEX BOLT A325
004902	1	1" ROUND WASHER F436
105285	2	5/16" X 2.5" HEX BOLT GRD 5
105286	1	5/16" X 1.5" HEX BOLT GRD 5
015201	2	SFST-ANCHOR ANGLE
015206	1	SFST-PLATE WASHER
015207	1	SFST-KEEPER PLATE

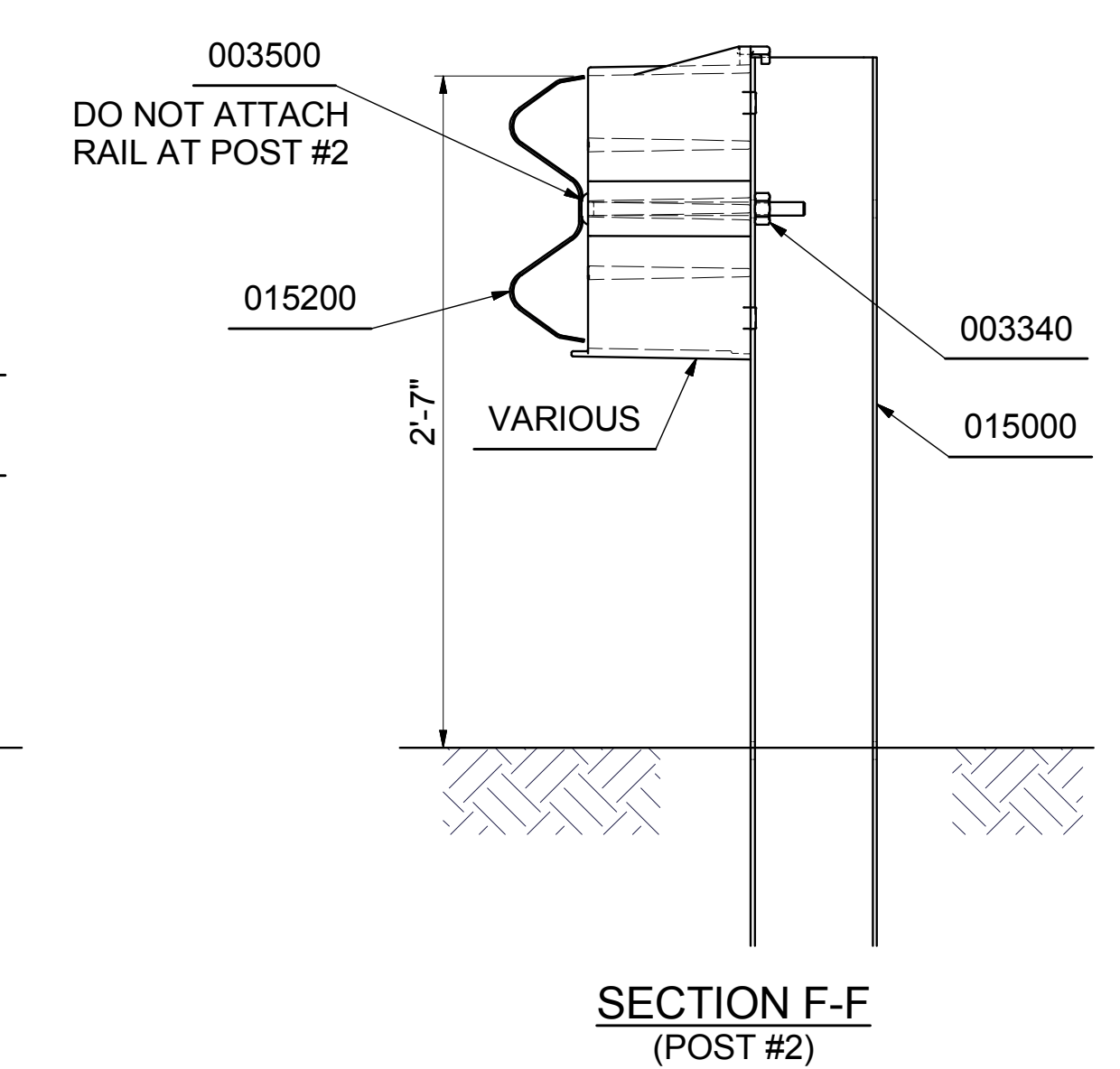
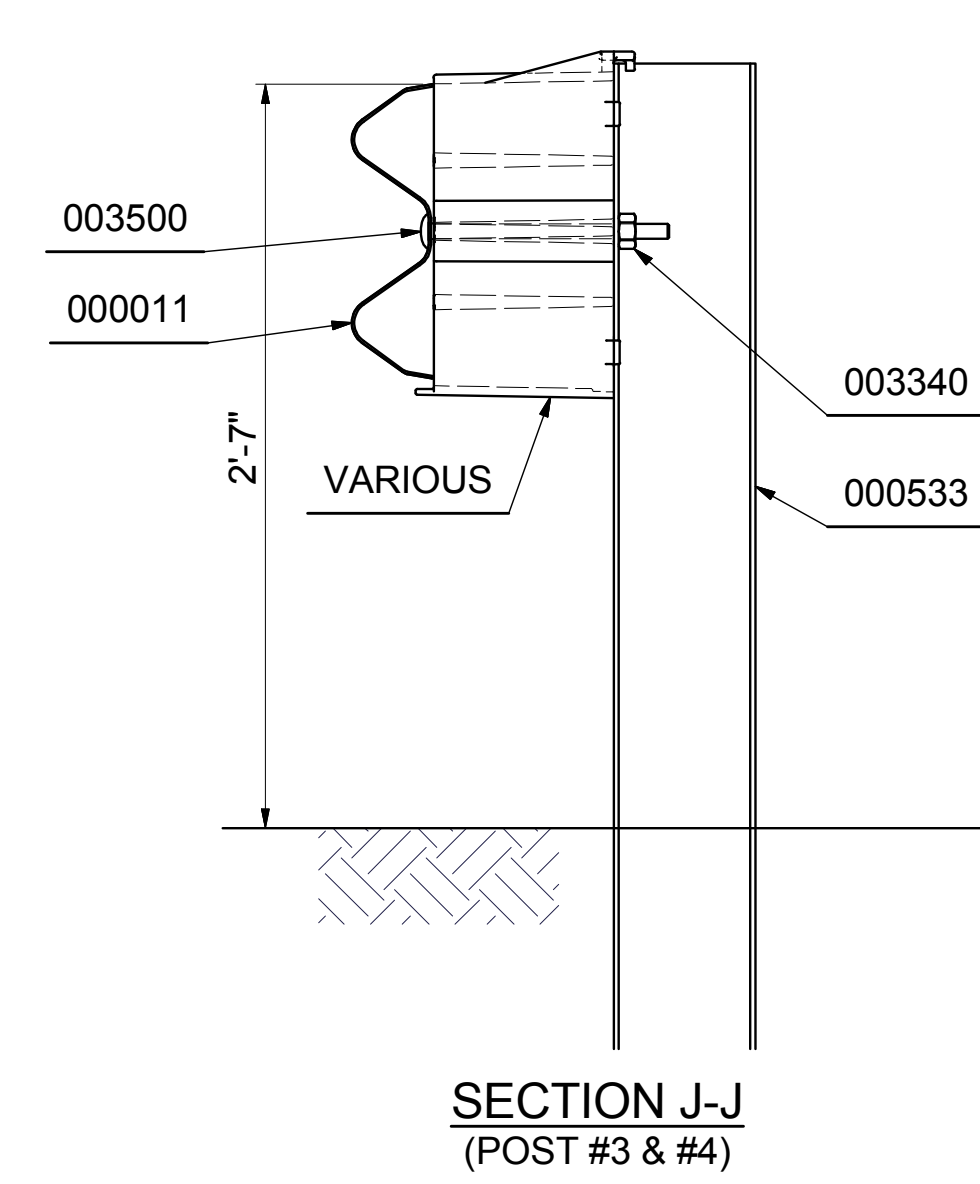
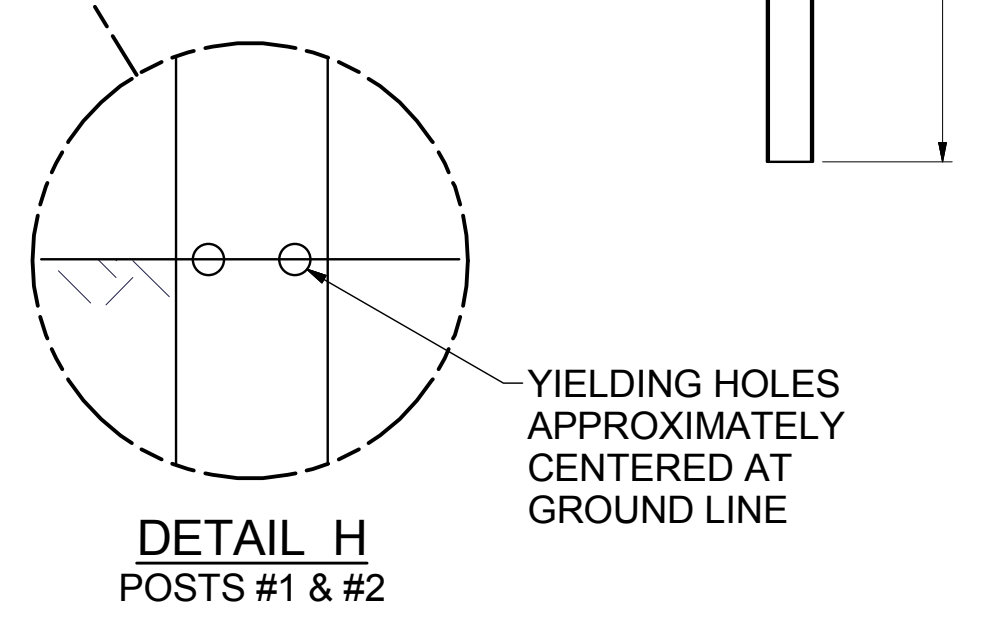
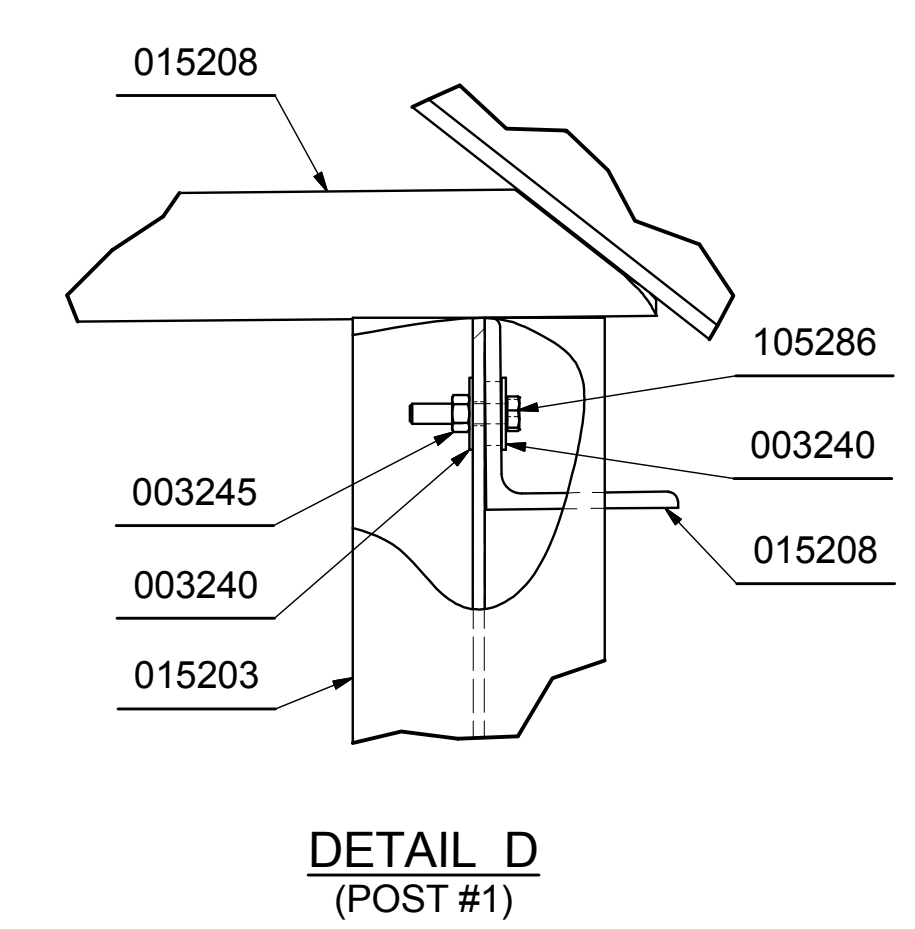
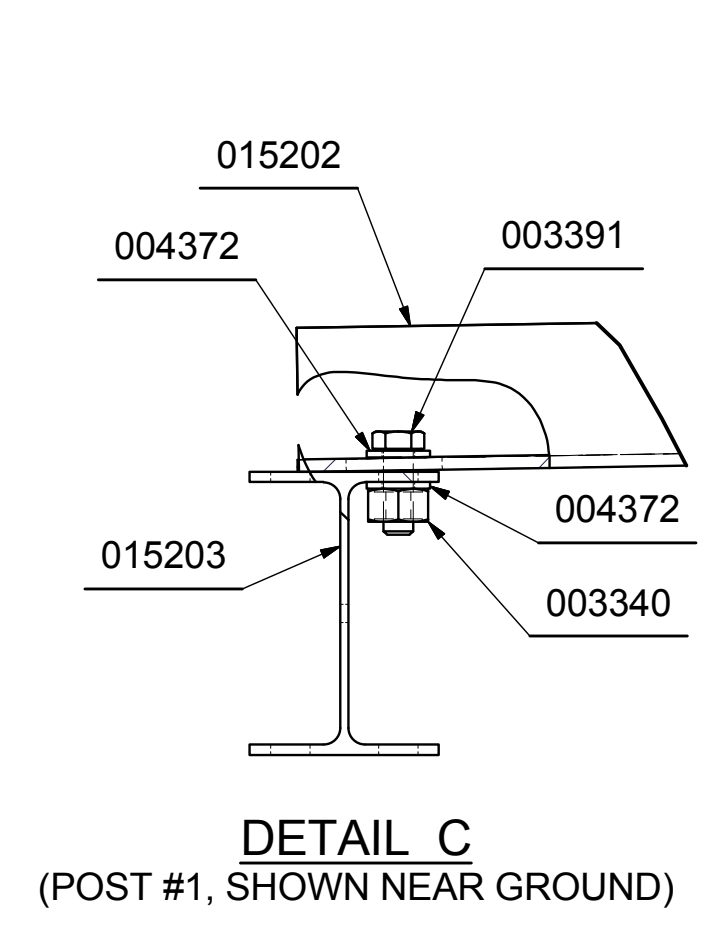
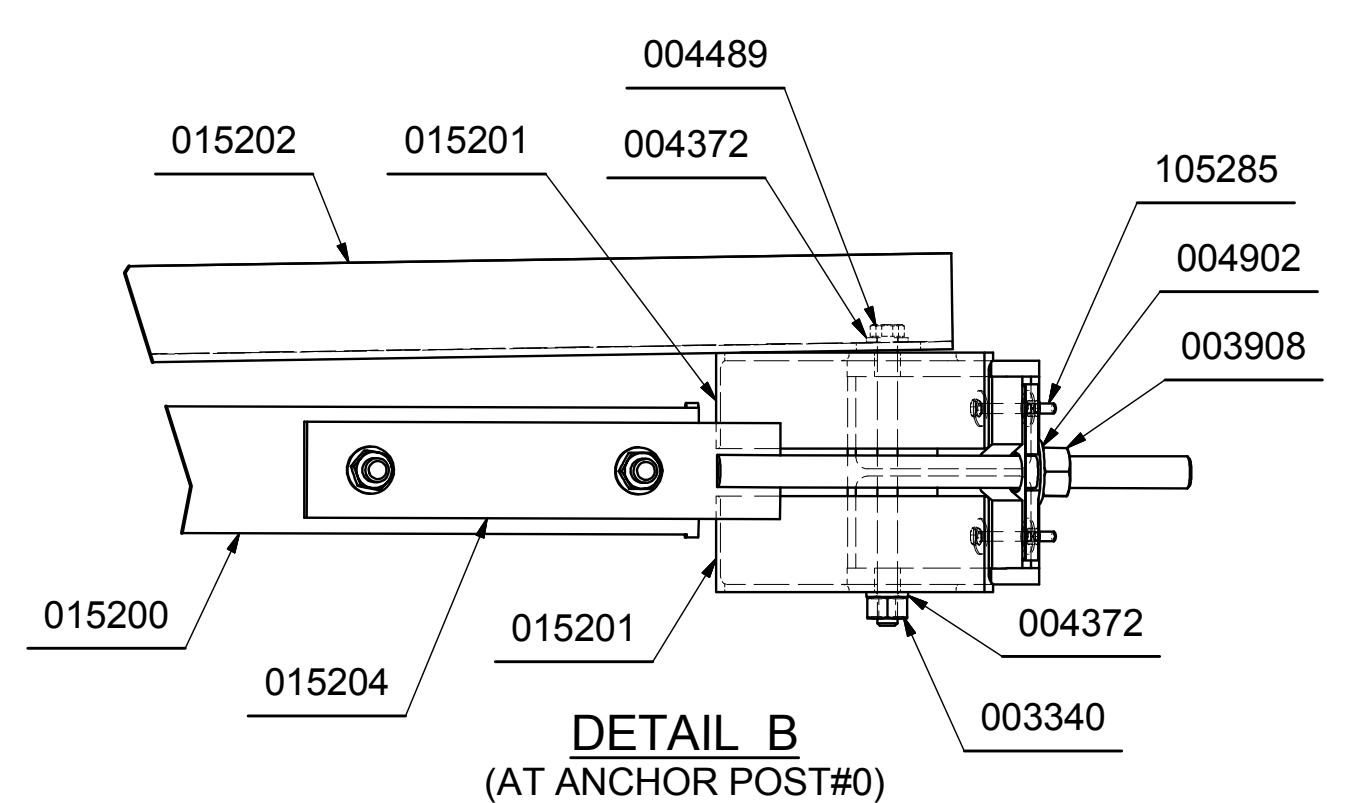
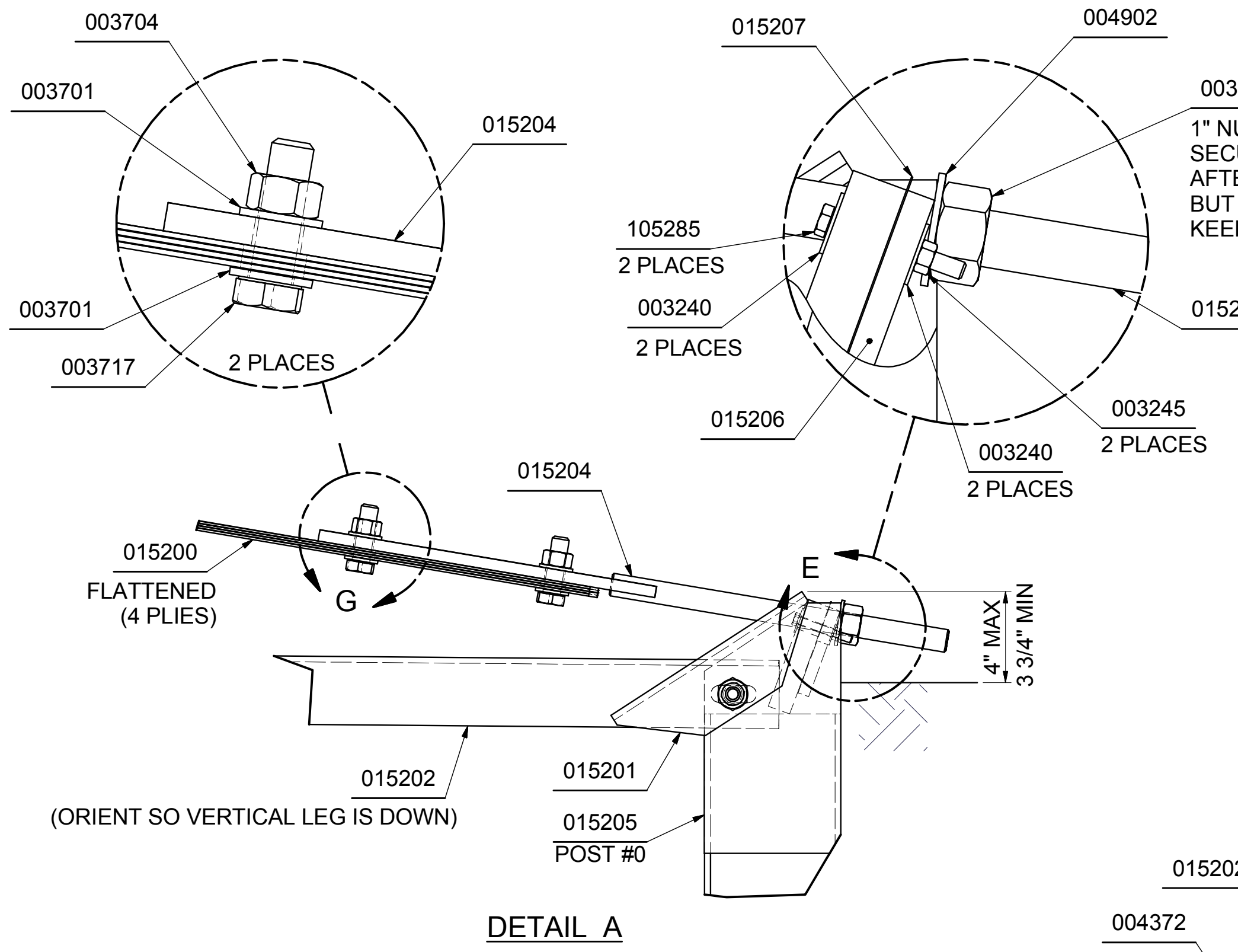
- NOTES:
- REFER TO SoftStop® (8" COMPOSITE BLOCKS) ASSEMBLY MANUAL.
  - PROPER SITE GRADING SHOULD BE ACCOMPLISHED IN ACCORDANCE WITH LOCAL SPECIFYING AGENCY GUIDELINES AND THE AASHTO ROADSIDE DESIGN GUIDE.
  - DO NOT ATTACH THE SoftStop® DIRECTLY TO A RIGID BARRIER.
  - UNDER NO CIRCUMSTANCES SHALL THE GUARDRAIL WITHIN THE SoftStop® BE CURVED.
  - MANUFACTURER SUGGESTS CUSTOMER TO PROVIDE REFLECTORIZATION OF THE TERMINAL.
  - IT IS ACCEPTABLE TO INSTALL THE SoftStop® IMPACT HEAD PARALLEL TO THE GRADE LINE OR WITH AN UPWARD TILT. SEE SoftStop® ASSEMBLY MANUAL FOR SPECIFIC DETAILS.

© 2013, 2015-2017, 2019 Trinity Highway Products, LLC. All rights reserved. THP-FE-052 Rev D, 8/29/2018

NOTE:  
 INSTALL SoftStop® PARALLEL TO ROADWAY.  
 WHEN OFFSET IS REQUIRED BY DESIGN ENGINEER,  
 SEE SoftStop® (8" COMPOSITE BLOCKS) MANUAL FOR  
 REQUIREMENTS.



PARTS LIST		
PART NO.	QTY.	DESCRIPTION
000011	1	12/12/6/3/1, 5/S
000533	2	6'-0" POST / W6 x 8.5#
VARIOUS	3	8" COMPOSITE BLOCK
015000	1	6'0 SYT PST/8.5/31" GR HT
015200	1	SFST-ANCHOR G.RAIL 12'-6"
015202	1	SFST-ANGLE STRUT
015203	1	SFST-POST#1 SYTP
015204	1	SFST-ANCHOR PADDLE
015205	1	SFST-POST#0
015208	1	SFST-IMPACT HEAD
HARDWARE KIT 034428		
003240	6	5/16 ROUND WASHER WIDE
003245	3	5/16 HEX NUT
003340	21	NUT, HX, 5/8, G, RAIL
003360	16	5/8" X 1.25" GR BOLT
003391	1	5/8" X 1.75" HEX BOLT A325
003500	3	5/8" X 10" GR BOLT A307
003701	4	3/4" ROUND WASHER F436
003704	2	3/4" HVY HEX NUT A563 DH
003717	2	3/4" X 2.5" HEX BOLT A325
003908	1	1" HVY HEX NUT A563 DH
004372	4	5/8" WASHER F436
004489	1	5/8" X 9" HEX BOLT A325
004902	1	1" ROUND WASHER F436
105285	2	5/16" X 2.5" HEX BOLT GRD 5
105286	1	5/16" X 1.5" HEX BOLT GRD 5
015201	2	SFST-ANCHOR ANGLE
015206	1	SFST-PLATE WASHER
015207	1	SFST-KEEPER PLATE

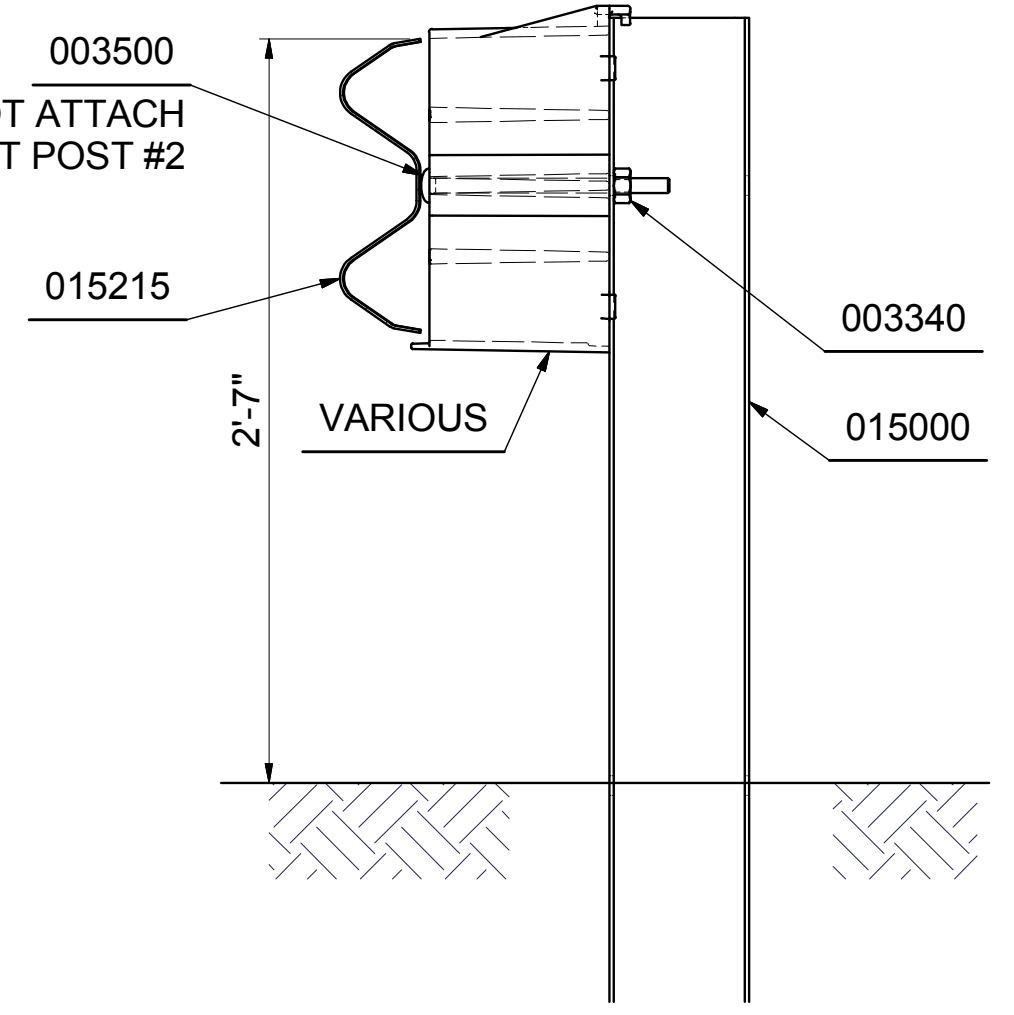
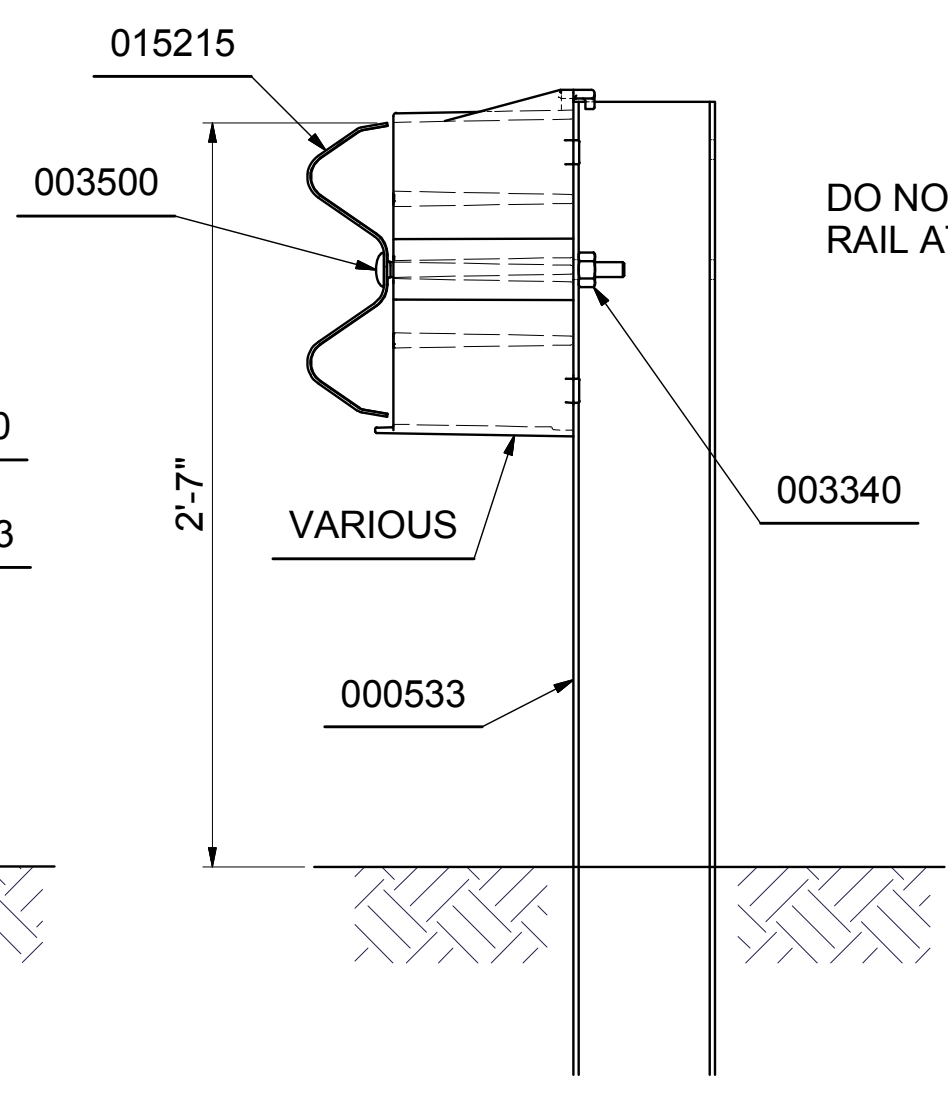
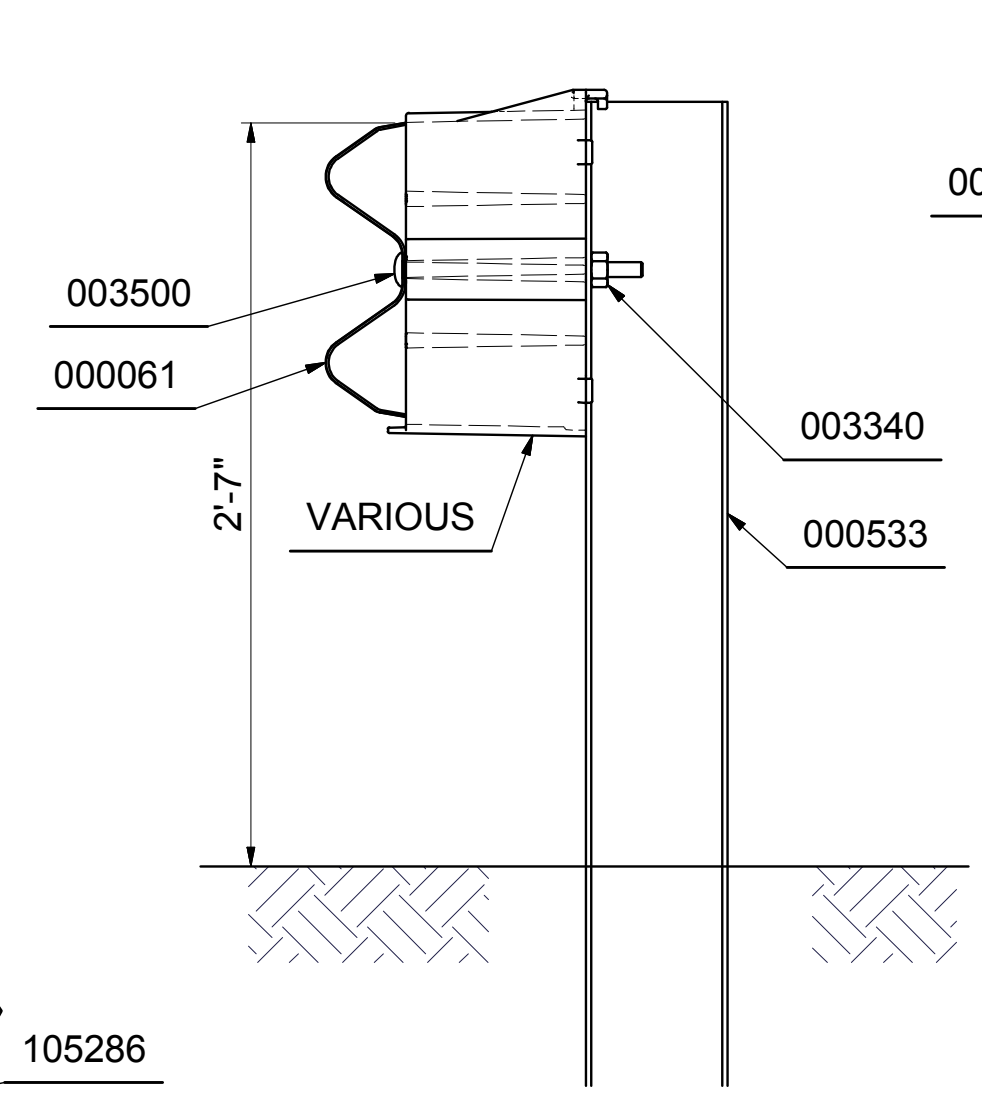
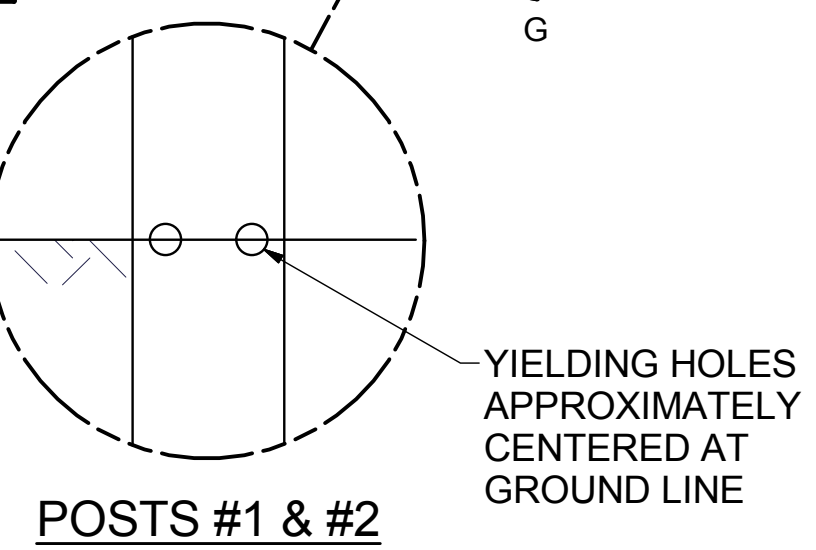
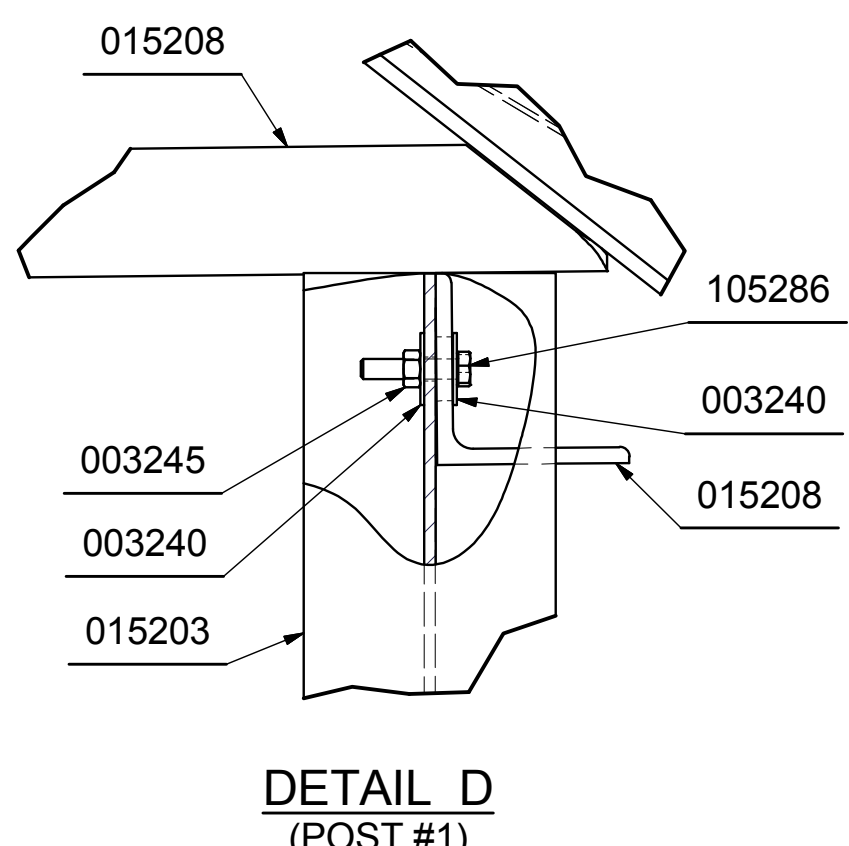
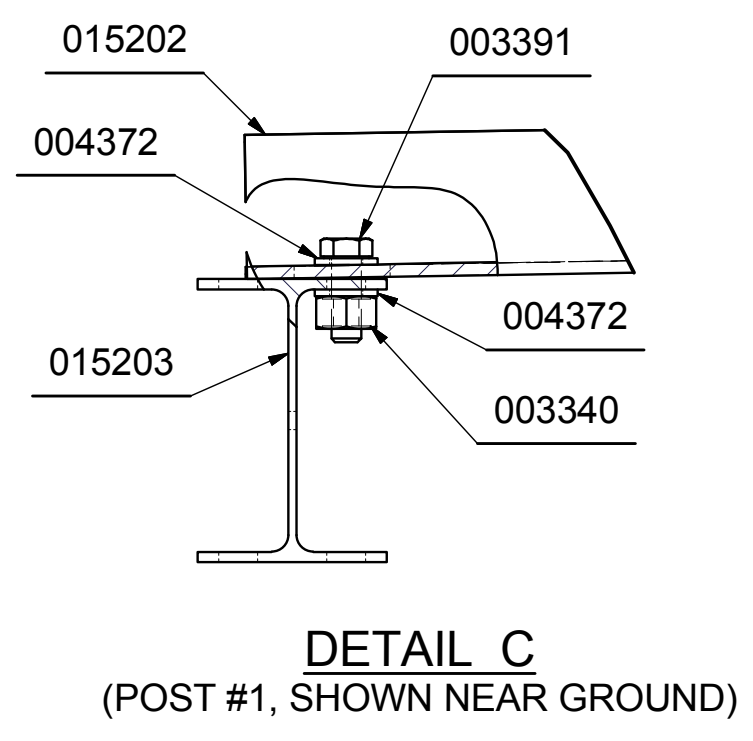
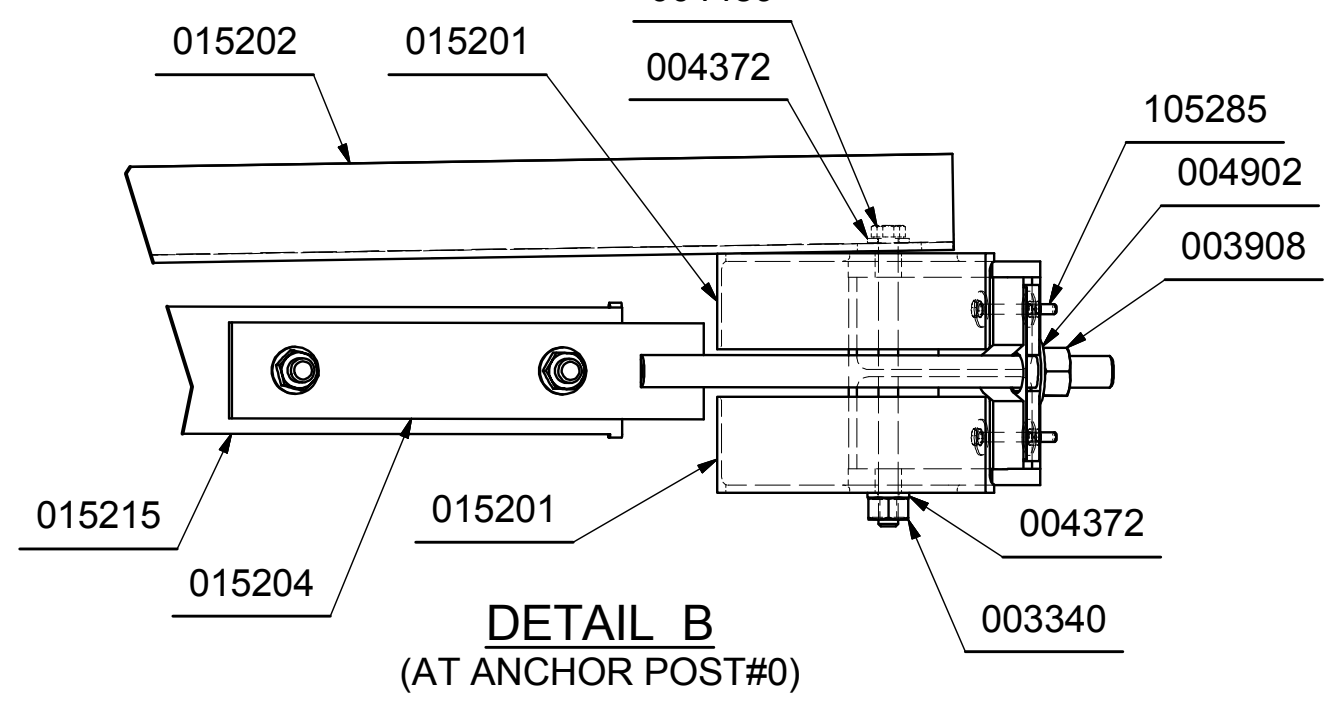
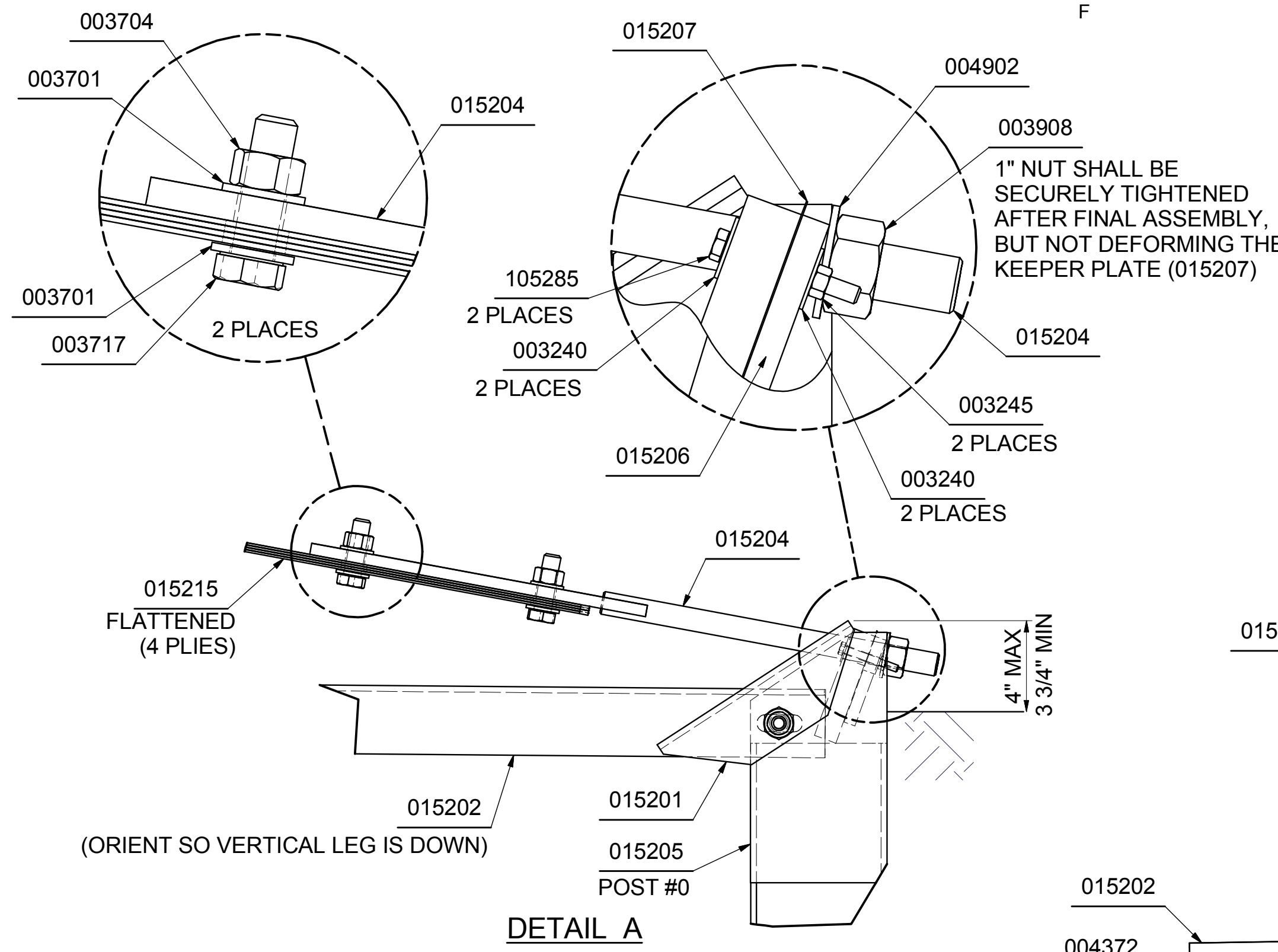
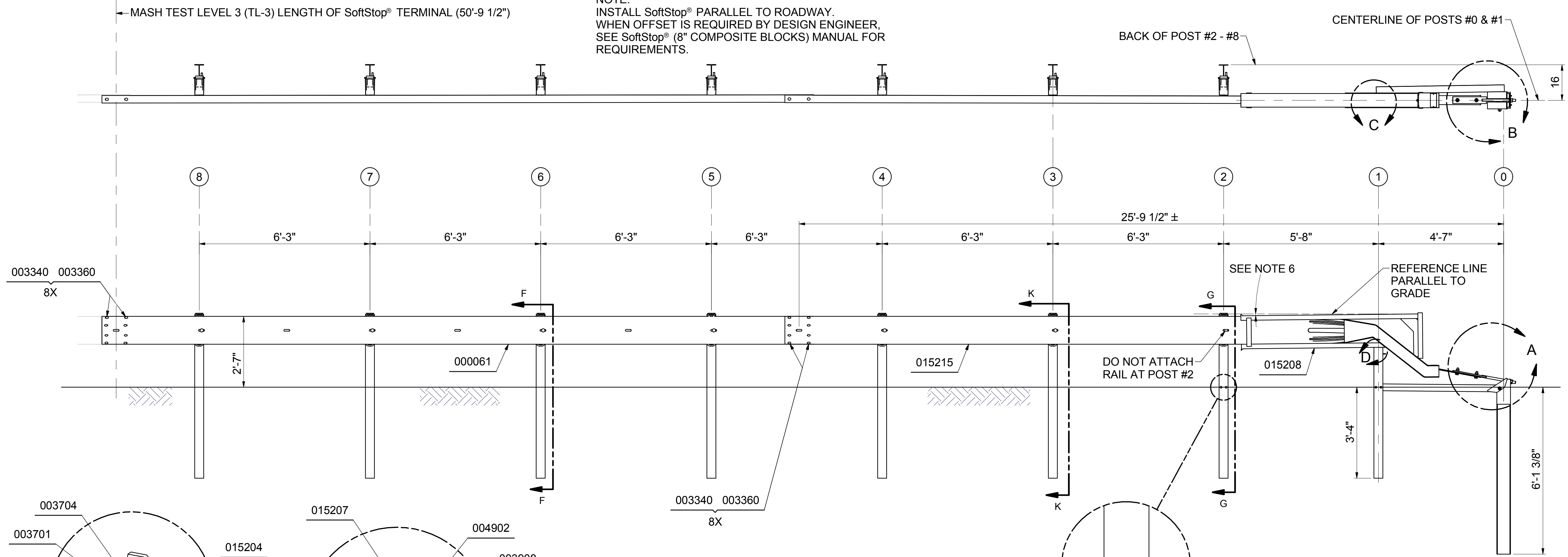


- NOTES:
- REFER TO SoftStop® (8" COMPOSITE BLOCKS) ASSEMBLY MANUAL.
  - PROPER SITE GRADING SHOULD BE ACCOMPLISHED IN ACCORDANCE WITH LOCAL SPECIFYING AGENCY GUIDELINES AND THE AASHTO ROADSIDE DESIGN GUIDE.
  - DO NOT ATTACH THE SoftStop® DIRECTLY TO A RIGID BARRIER.
  - UNDER NO CIRCUMSTANCES SHALL THE GUARDRAIL WITHIN THE SoftStop® BE CURVED.
  - MANUFACTURER SUGGESTS CUSTOMER TO PROVIDE REFLECTORIZATION OF THE TERMINAL.
  - IT IS ACCEPTABLE TO INSTALL THE SoftStop® IMPACT HEAD PARALLEL TO THE GRADE LINE OR WITH AN UPWARD TILT. SEE SoftStop® ASSEMBLY MANUAL FOR SPECIFIC DETAILS.

MATERIAL: SEE PARTS LIST	DRAWN: LH	DATE: 1/14/2013	TOLERANCES PER THP-SF-001, UNLESS OTHERWISE SPECIFIED.				SoftStop® TERMINAL (8" BLOCKS) PLAN, ELEVATION & SECTION MASH TEST LEVEL 1 (TL-1) P/N: 500654	
FINISH: N/A	CHECKED: BS	DATE: 1/14/2013	DO NOT SCALE DRAWING					
UNLESS OTHERWISE NOTED, ALL DIMENSIONS ARE IN FEET/INCHES. DIMENSIONS ACCORDING TO ASME Y14.5M AND THP-SE-003 UNLESS OTHERWISE SPECIFIED.			Revision	ECO	Date	Rev	By	Chk.
TYPICAL NOTES: 1. BORDER, BOLT DIR (DETAIL C), REDRAWN IN INV 2. ADDED CALLOUTS FOR BOLTS & NUTS AT SPLICES 3. ADDED 8" COMPOSITE BLOCKS TO NOTES & MOVED 015201, 015206 & 015207 TO HDWR KIT			4126	12/2/15	3	DPH	KWL	
EST UNFINISHED WT: 0.0 lbs			4844	6/21/17	4	DDS	KWL	
			6641	8/11/19	E	DDS	PLK	
DRAWING: SS 654		REV: E	SHEET: 1 of 1		THP-FE-052 Rev D, 8/29/2018			

PARTS LIST		
PART NO.	QTY.	DESCRIPTION
000061	1	12/25"0/3'1.5/S
000533	6	6'-0" POST / W6 x 8.5#
VARIOUS	7	8" COMPOSITE BLOCK
015000	1	6'0 SYT PST/8.5/31" GR HT
015202	1	SFST-ANGLE STRUT
015203	1	SFST-POST#1 SYTP
015204	1	SFST-ANCHOR PADDLE
015205	1	SFST-POST#0
015208	1	SFST-IMPACT HEAD
015215	1	SFST-ANCHOR G.RAIL 25'-0"
HARDWARE KIT 034429		
003240	6	5/16 ROUND WASHER WIDE
003245	3	5/16 HEX NUT
003340	25	NUT, HX, 5/8, G, RAIL
003360	16	5/8"X1.25" GR BOLT
003391	1	5/8"X1.75" HEX BOLT A325
003500	7	5/8"X10" GR BOLT A307
003701	4	3/4" ROUND WASHER F436
003704	2	3/4" HVY HEX NUT A563 DH
003717	2	3/4"X2.5" HEX BOLT A325
003908	1	1" HVY HEX NUT A563 DH
004372	4	5/8" WASHER F436
004489	1	5/8"X9" HEX BOLT A325
004902	1	1" ROUND WASHER F436
105285	2	5/16" X 2.5" HEX BOLT GRD 5
105286	1	5/16" X 1.5" HEX BOLT GRD 5
015201	2	SFST-ANCHOR ANGLE
015206	1	SFST-PLATE WASHER
015207	1	SFST-KEEPER PLATE

NOTE:  
INSTALL SoftStop® PARALLEL TO ROADWAY.  
WHEN OFFSET IS REQUIRED BY DESIGN ENGINEER,  
SEE SoftStop® (8" COMPOSITE BLOCKS) MANUAL FOR  
REQUIREMENTS.



- NOTES:
- REFER TO SoftStop® (8" COMPOSITE BLOCKS) ASSEMBLY MANUAL.
  - PROPER SITE GRADING SHOULD BE ACCOMPLISHED IN ACCORDANCE WITH LOCAL SPECIFYING AGENCY GUIDELINES AND THE AASHTO ROADSIDE DESIGN GUIDE.
  - DO NOT ATTACH THE SoftStop® DIRECTLY TO A RIGID BARRIER.
  - UNDER NO CIRCUMSTANCES SHALL THE GUARDRAIL WITHIN THE SoftStop® BE CURVED.
  - MANUFACTURER SUGGESTS CUSTOMER TO PROVIDE REFLECTORIZATION OF THE TERMINAL.
  - IT IS ACCEPTABLE TO INSTALL THE SoftStop® IMPACT HEAD PARALLEL TO THE GRADE LINE OR WITH AN UPWARD TILT. SEE SoftStop® ASSEMBLY MANUAL FOR SPECIFIC DETAILS.

MATERIAL: SEE PARTS LIST	DRAWN: D. Hayes Jr.	DATE: 2/3/2016	TOLERANCES PER THP-SF-001, UNLESS OTHERWISE SPECIFIED.	SoftStop® TERMINAL (8" BLOCKS) PLAN, ELEVATION & SECTION MASH TEST LEVEL 3 (TL-3) P/N: 500673B		
FINISH: N/A	CHECKED: K. Looney	DATE: 2/10/2016	DO NOT SCALE DRAWING			
EST UNFINISHED WT: 0.0 lbs	Revision	ECO	Date	Rev	By	Chk.
	INITIAL RELEASE	4168	2/3/16	-	DPH	/
	ADDED 8" COMPOSITE BLOCKS TO NOTES & MOVED 015201, 015208 & 015207 TO HDWR KIT	6641	8/1/19	A	DDS	PLK
	DRAWING:	SS 673	REV:	A	SHEET:	1 of 1